

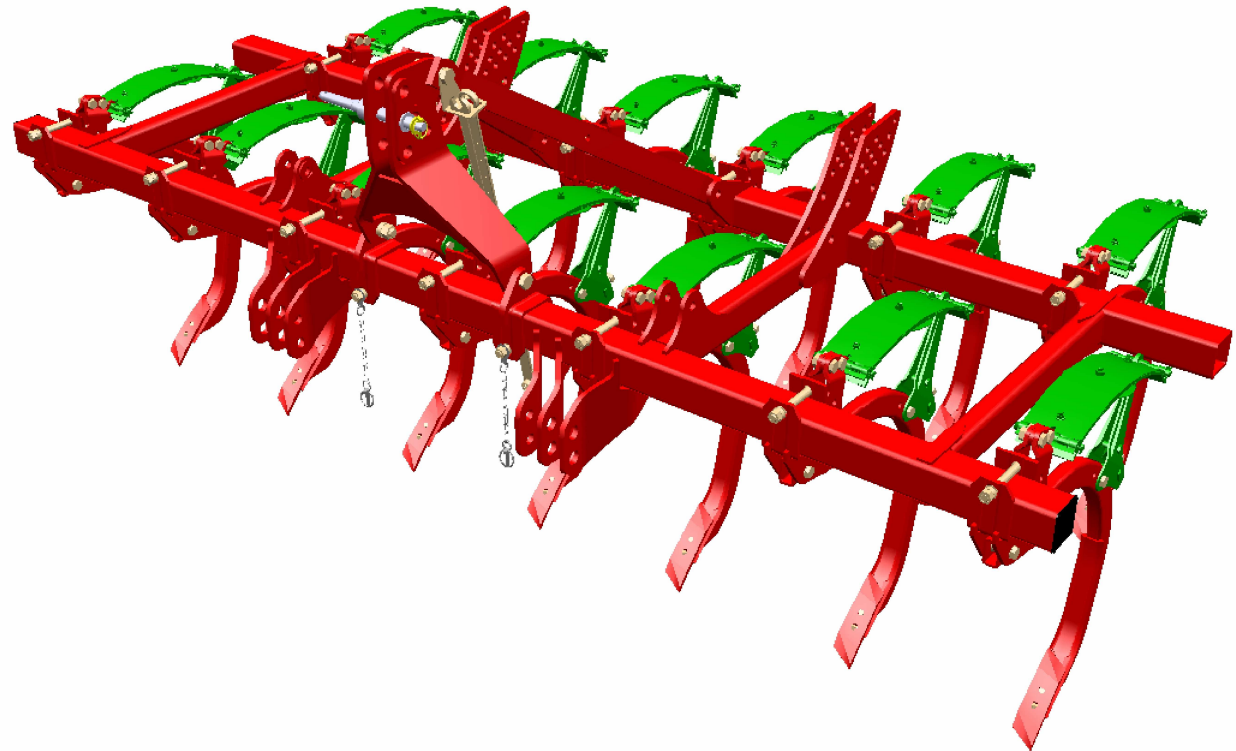
CLC

Spare Parts Manual

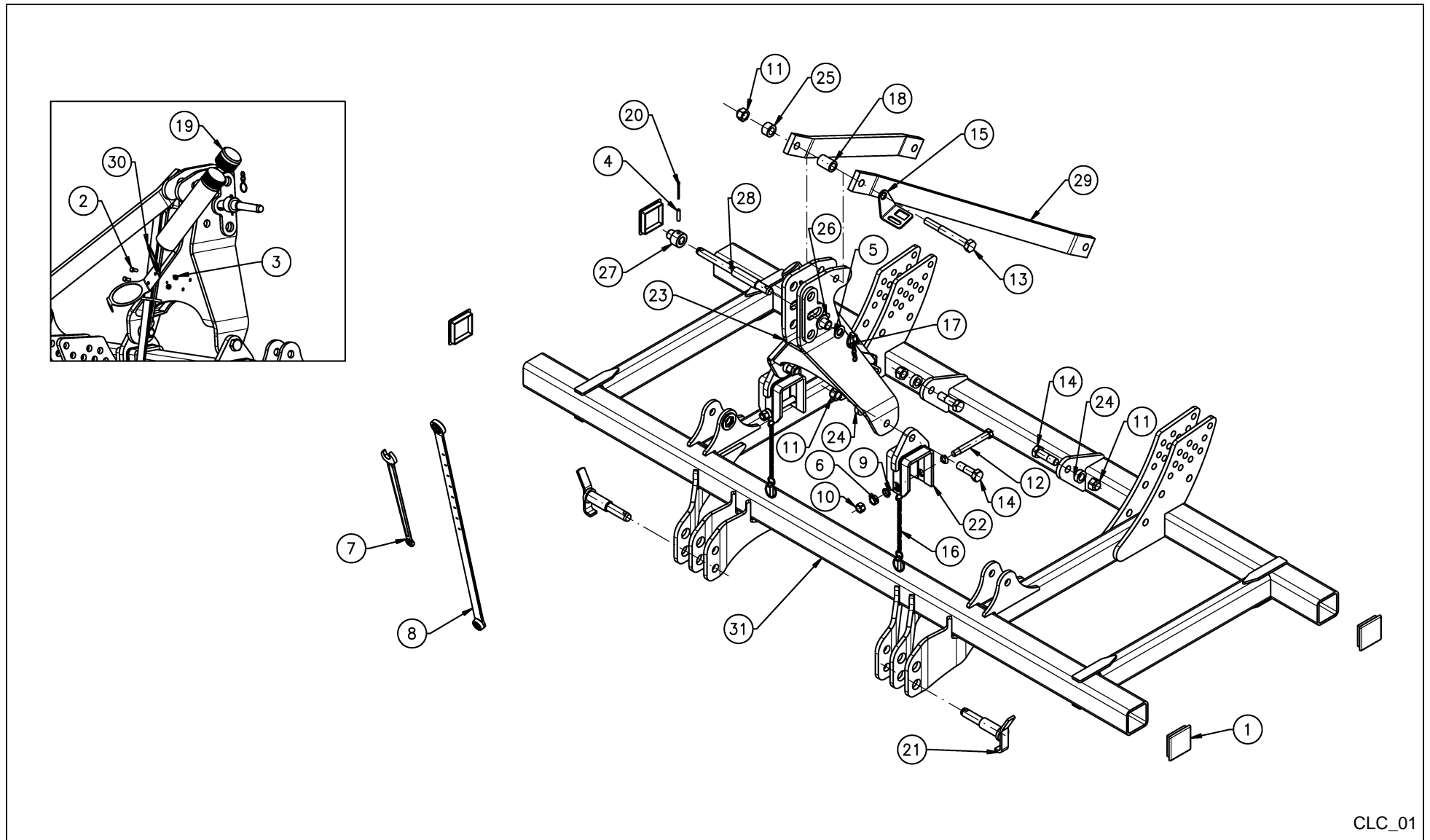
Article number: RF30117
Language: EN
Production year (from): 2010
Prod. Series nr (from):
06285 < Mach. ID <=

CLC / Table of Contents

PosNo.	Assembly group	Page
	2 ROWS RIGID FRAME	1
	2 ROWS FOLDING FRAME	2
	2 ROWS FOLDING FRAME 4M90	3
	LOCKING HOOK	4
	HYDRAULIC FOLDING	5
	CLC TINE - NON STOP	6
	CLC TINE - SHEAR BOLT SECURITY	7
	PARALLELOGRAM ARM	8
	COMBI-DISC	9
	DOUBLE DISC GANG	10
	DISC GANG EQUIPED	11
	DISC-GANG	12
	ARM ROLLER	13
	PIPE ROLLER	14
	DOUBLE ROLLER	15
	TWIN STAR ROLLER	16
	FLEXLINE ROLLER	17
	ACTIPACK ROLLER	18
	CENTRAL FLOW MANAGEMENT KIT	19
	DEPTH CONTROL WHEEL (RIGID FRAME)	20
	DEPTH CONTROL WHEEL FOR (FOLDING FRAME)	21
	LIGHTING	22
	RIGID FRAME SIGN KITS	23
	FOLDING FRAME SIGN KITS (1)	24
	FOLDING FRAME SIGN KITS (2)	25
	PARKING STAND	26



CLC / 2 ROWS RIGID FRAME

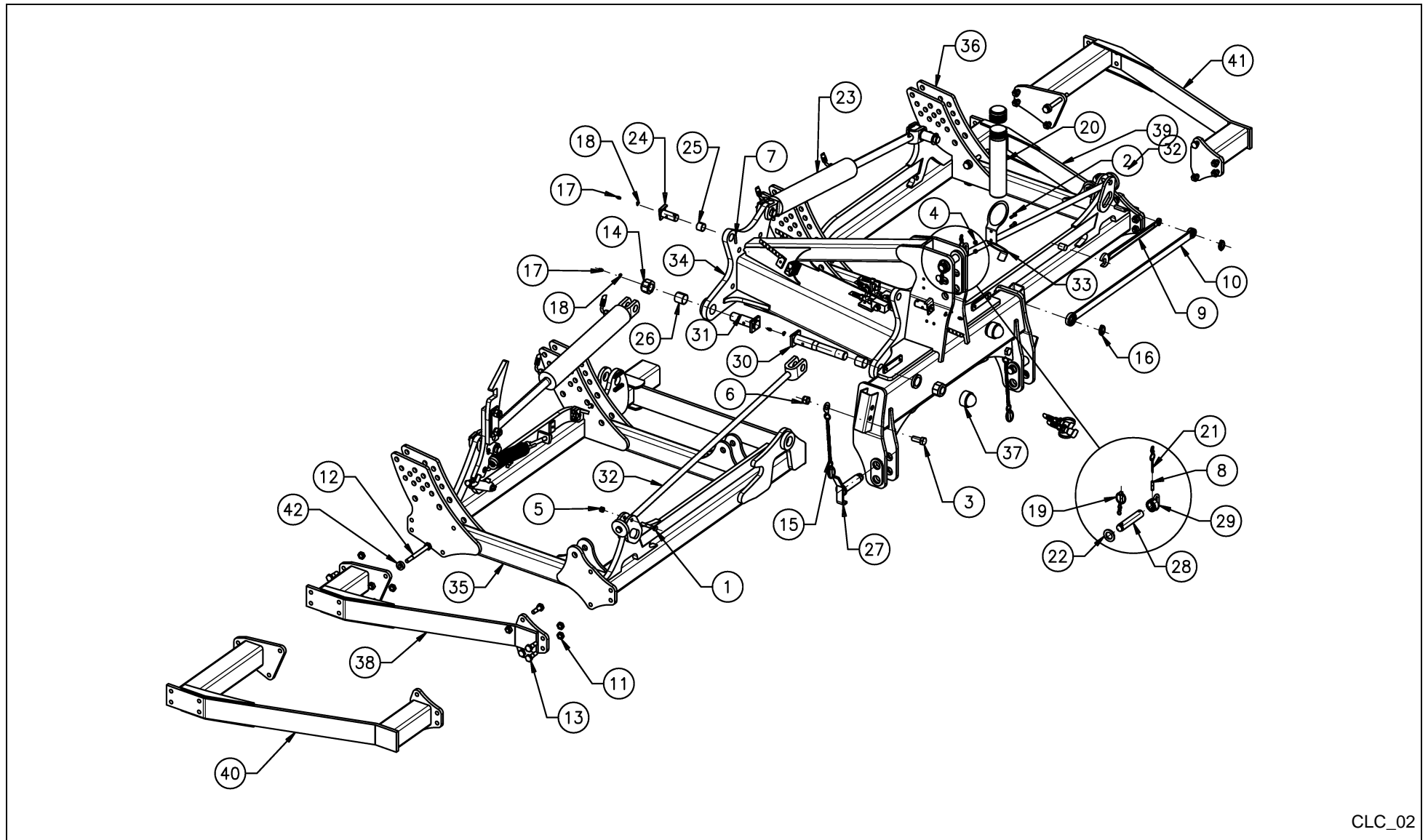


CLC_01

CLC / 2 ROWS RIGID FRAME

PosNo.	Part No.	Qty.	Description	Remark
1	AC688220		SQUARE PLUG Q 100X100X6	
2	KG00471961		HEX. SCREW M8X20 8.8	
3	KG01067561		LOCK NUT M8 8	
4	KG01194062		TENSION PIN 10X45	
5	KG01268161		WASHER M24	
6	KK010170		BUSHING D30 X D21	
7	KK010606		SPANNER NV27-19 L450	
8	KK010650		UNIVERSAL SPANNER NV 27-36	
9	KK012813		CONIC WASHER EXTENDED TO D20	
10	KK015830		NUT M20	
11	KK016001		LOCK NUT M24 10 GALV.	
12	KK032808		HEX BOLT M20X160 10.9 THREAD L=25	
13	KK032920		HEX BOLT M24X200 10.9	
14	KK032980		HEX BOLT M24X80 S=40+3	
15	KW250700		KEY HOLDER F. CLC&CLF GALVANIZED	
16	KW330050021		KLAPPSPLINT Ø10,5 M.KETTE U.BLECH D=21	
17	RF11336		SAFETY PIN 10X45 WITH CHAIN	
18	RF0214662		BUSHING	
19	RF15210		DOCUMENTS PACKAGE	
20	RF16824		SPLIT PIN 5X56	
21	RF2772963		LOWER PIN CAT. 2 & 3 WITH STOP	
22	RF28056		BOLTED BRACKET	
23	RF2805794		REINFORCED 3 RD POINT WELDED CAT. N°3	
24	RF28345		BUSHING DIA25-DIA42X15	
25	RF28346		BUSHING D25-D42X25	
26	RF28434		BUSHING CAT N° 2/3 LENGHT 32	
27	RF28435		BUSHING CAT. N° 2/3 LENGHT 57	
28	RF28482		3 POINT PIN CAT. N° 2/3	
29	RF2891694		2R FRAME STAY	
30	RF2919763		DOCUMENTS HOLDER SHEET	
31	RF2959494		3,00 M 2R FRAME	
31	RF2890494		3,50 M 2R FRAME	
31	RF2959594		4,00 M 2R FRAME	

CLC / 2 ROWS FOLDING FRAME

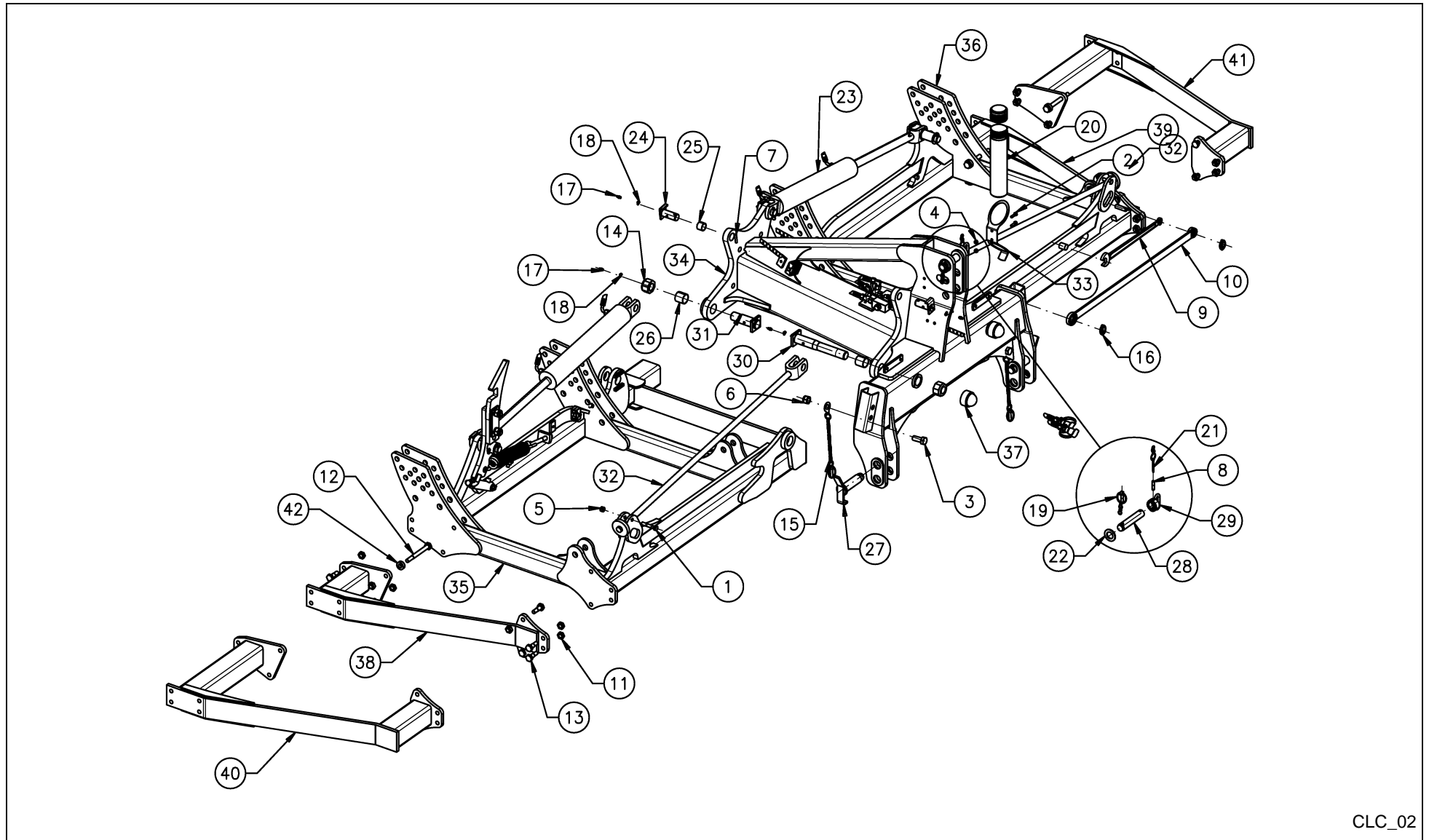


CLC_02

CLC / 2 ROWS FOLDING FRAME

PosNo.	Part No.	Qty.	Description	Remark
1	KG00357961		HEX. BOLT M12X70 8.8	
2	KG00472261		HEX. SCREW M8X30 8.8	
3	KG00483661		HEX. SCREW M20X50 8.8	
4	KG01067561		LOCK NUT M8 8	
5	KG01067761		LOCK NUT M12 8	
6	KG01068161		LOCK NUT M20 8	
7	KG01191962		TENSION PIN 8X45	
8	KG01194062		TENSION PIN 10X45	
9	KK010606		SPANNER NV27-19 L450	
10	KK010650		UNIVERSAL SPANNER NV 27-36	
11	KK016025		LOCK NUT M16	
12	KK032710		HEX BOLTM16X155	
13	KK032750		HEX BOLT M16X50 10.9	
14	KW101009027		MUTTER M 36 SELBSTS.	
15	KW330050021		KLAPPSPLINT Ø10,5 M.KETTE U.BLECH D=21	
16	RF00438		SAFETY PIN 6X35 ZN	
17	RF00895		GREASE NIPPLE M8X125	
18	RF02345		GREASE NIPPLE MARKER GPN 985	
19	RF11336		SAFETY PIN 10X45 WITH CHAIN	
20	RF15210		DOCUMENTS PACKAGE	
21	RF16824		SPLIT PIN 5X56	
22	RF25317		WASHER 55X32.5X04 ZN	
23	RF2626888		KV HYD. CYLINDER D.E. 35X80 C450 EAF 705	
24	RF27166		CYLINDER PIN WELDED 1	
25	RF27169		RING 30/34 LENGHT 25 MM	
26	RF27170		RING 40/44 LENGHT 40 MM	
27	RF2871263		LOWER PIN CAT 3 WITH STOP	
28	RF2894862		3 POINT PIN CAT 3	
29	RF2894962		HANDLE	
30	RF2900994		FRONT PIVOTING AXLE	
31	RF2901194		PIVOTING AXLE	
32	RF2904994		TIE ROD WELDED	
33	RF2919763		DOCUMENTS HOLDER SHEET	
34	RF2931894		2R FOLDABLE FRAME WELDED	
35	RF2931994		2R RIGHT SIDE FRAME	
36	RF2932094		2R LEFT SIDE FRAME	
37	RF29701		NUT CAP M36	
38	RF2990994		RIGHT SIDE FRAME SHORT EXTENSION	
39	RF2991094		LEFT SIDE FRAME SHORT EXTENSION	
40	RF2991194		RIGHT SIDE FRAME EXTENSION	

CLC / 2 ROWS FOLDING FRAME

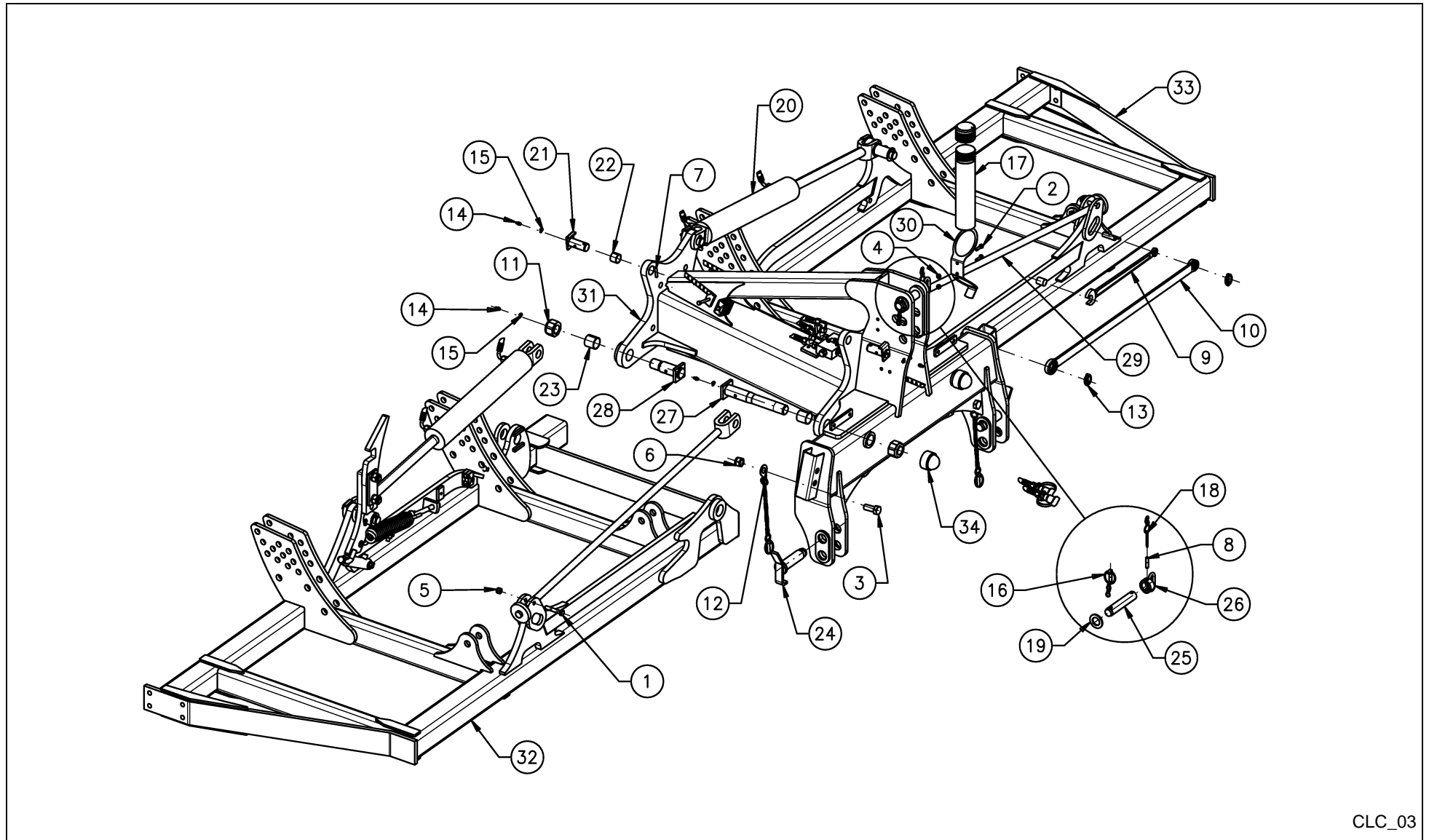


CLC_02

CLC / 2 ROWS FOLDING FRAME



PosNo.	Part No.	Qty.	Description	Remark
41	RF2991294		LEFT SIDE FRAME EXTENSION	
42	RF2992763		WASHER Ø35 Ø17 LG 12	

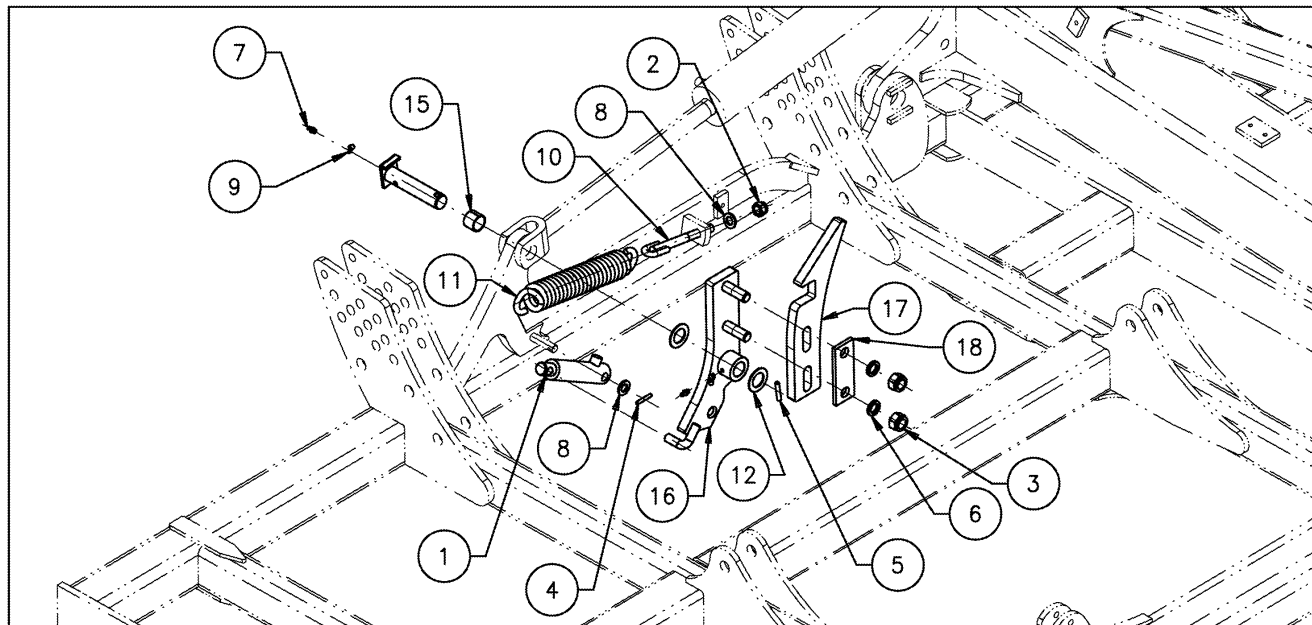
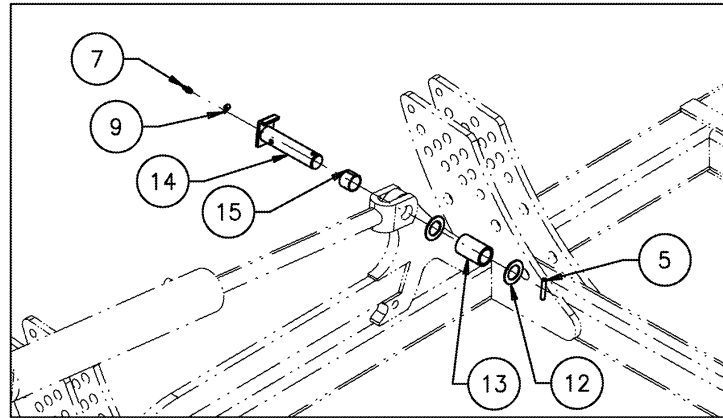


CLC_03

CLC / 2 ROWS FOLDING FRAME 4M90



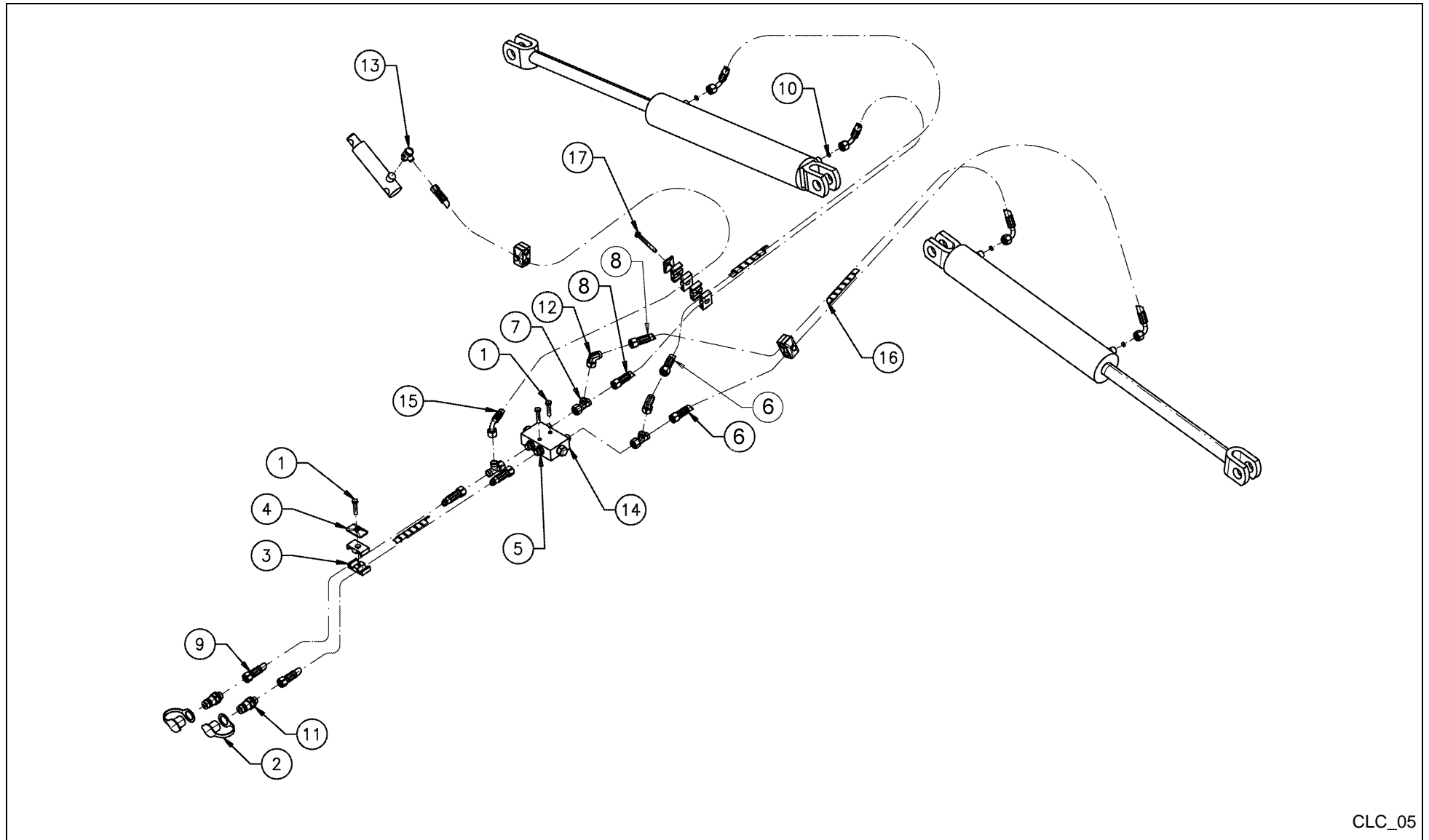
PosNo.	Part No.	Qty.	Description	Remark
1	KG00357961		HEX. BOLT M12X70 8.8	
2	KG00472261		HEX. SCREW M8X30 8.8	
3	KG00483661		HEX. SCREW M20X50 8.8	
4	KG01067561		LOCK NUT M8 8	
5	KG01067761		LOCK NUT M12 8	
6	KG01068161		LOCK NUT M20 8	
7	KG01191962		TENSION PIN 8X45	
8	KG01194062		TENSION PIN 10X45	
9	KK010606		SPANNER NV27-19 L450	
10	KK010650		UNIVERSAL SPANNER NV 27-36	
11	KW101009027		MUTTER M 36 SELBSTS.	
12	KW330050021		KLAPPSPLINT Ø10,5 M.KETTE U.BLECH D=21	
13	RF00438		SAFETY PIN 6X35 ZN	
14	RF00895		GREASE NIPPLE M8X125	
15	RF02345		GREASE NIPPLE MARKER GPN 985	
16	RF11336		SAFETY PIN 10X45 WITH CHAIN	
17	RF15210		DOCUMENTS PACKAGE	
18	RF16824		SPLIT PIN 5X56	
19	RF25317		WASHER 55X32.5X04 ZN	
20	RF2626888		KV HYD. CYLINDER D.E. 35X80 C450 EAF 705	
21	RF27166		CYLINDER PIN WELDED 1	
22	RF27169		RING 30/34 LENGHT 25 MM	
23	RF27170		RING 40/44 LENGHT 40 MM	
24	RF2871263		LOWER PIN CAT 3 WITH STOP	
25	RF2894862		3 POINT PIN CAT 3	
26	RF2894962		HANDLE	
27	RF2900994		FRONT PIVOTING AXLE	
28	RF2901194		PIVOTING AXLE	
29	RF2904994		TIE ROD WELDED	
30	RF2919763		DOCUMENTS HOLDER SHEET	
31	RF2931894		2R FOLDABLE FRAME WELDED	
32	RF2932194		4.90 M 2R RIGHT SIDE FRAME	
33	RF2932294		4.90 M 2R LEFT SIDE FRAME	
34	RF29701		NUT CAP M36	



CLC / LOCKING HOOK



PosNo.	Part No.	Qty.	Description	Remark
1	AC497685		RAM 25-80	
2	KG01067961		LOCK NUT M16 8	
3	KG01068161		LOCK NUT M20 8	
4	KG01189662		TENSION PIN 6X40	
5	KG01191962		TENSION PIN 8X45	
6	KG01278061		SPRING WASHER M20	
7	RF00895		GREASE NIPPLE M8X125	
8	RF01991		WASHER 16.5X30X3 NFE 27611	
9	RF02345		GREASE NIPPLE MARKER GPN 985	
10	RF12614		SPRING TIGHTENER	
11	RF18087		SPRING	
12	RF22033		YELLOW ZINCED WASHER DIA 30.5X50X2	
13	RF27122		CTC LOCKING BUSH	
14	RF27168		CYLINDER PIN WELDED 2	
15	RF27169		RING 30/34 LENGHT 25 MM	
16	RF2895194		LOCKING BAR WELDED	
17	RF2900094		LOCKING HOOK	
18	RF2900294		PLATE 2 HOLES Ø21 INTERAXIAL 94	

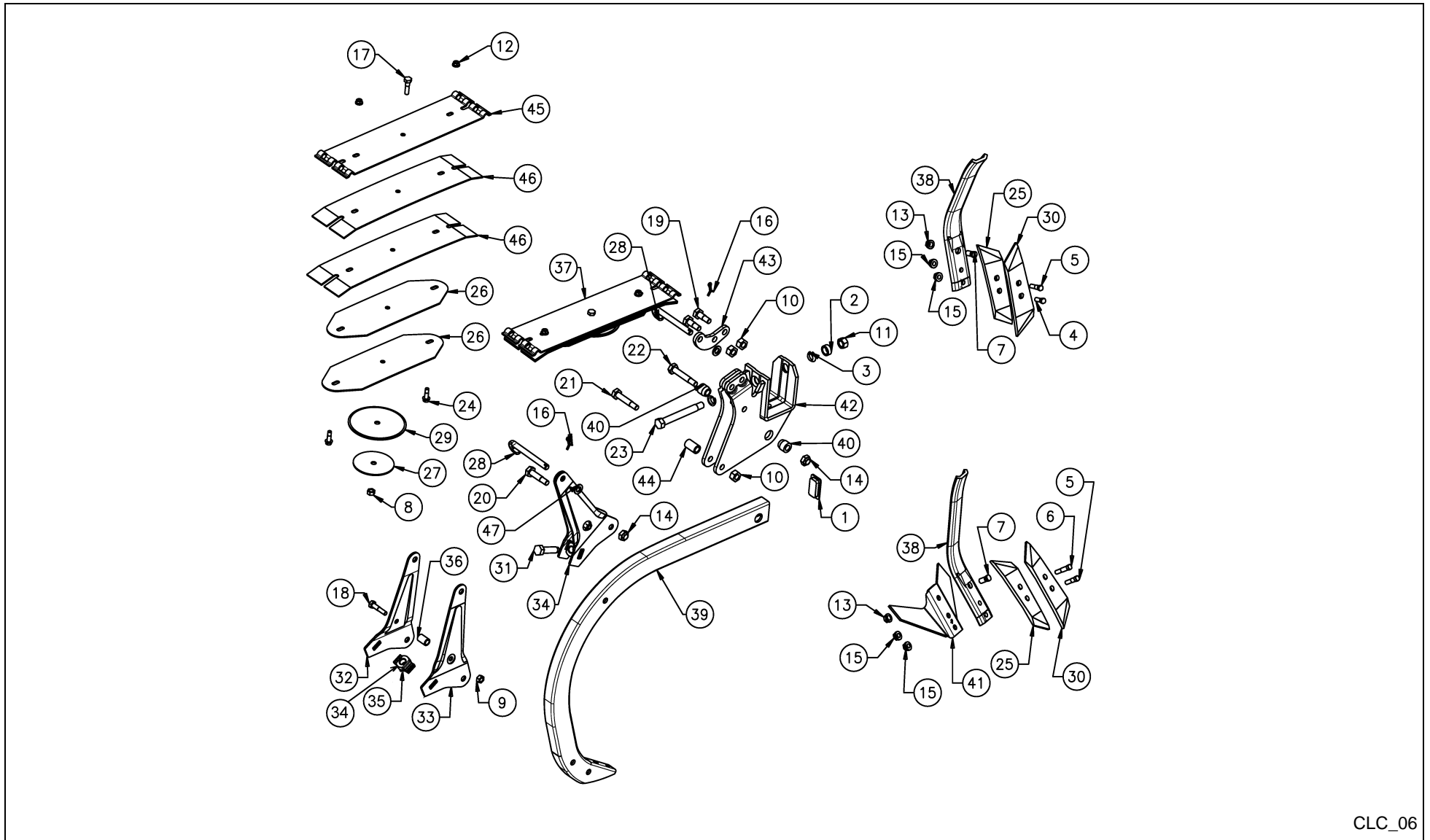


CLC_05

CLC / HYDRAULIC FOLDING



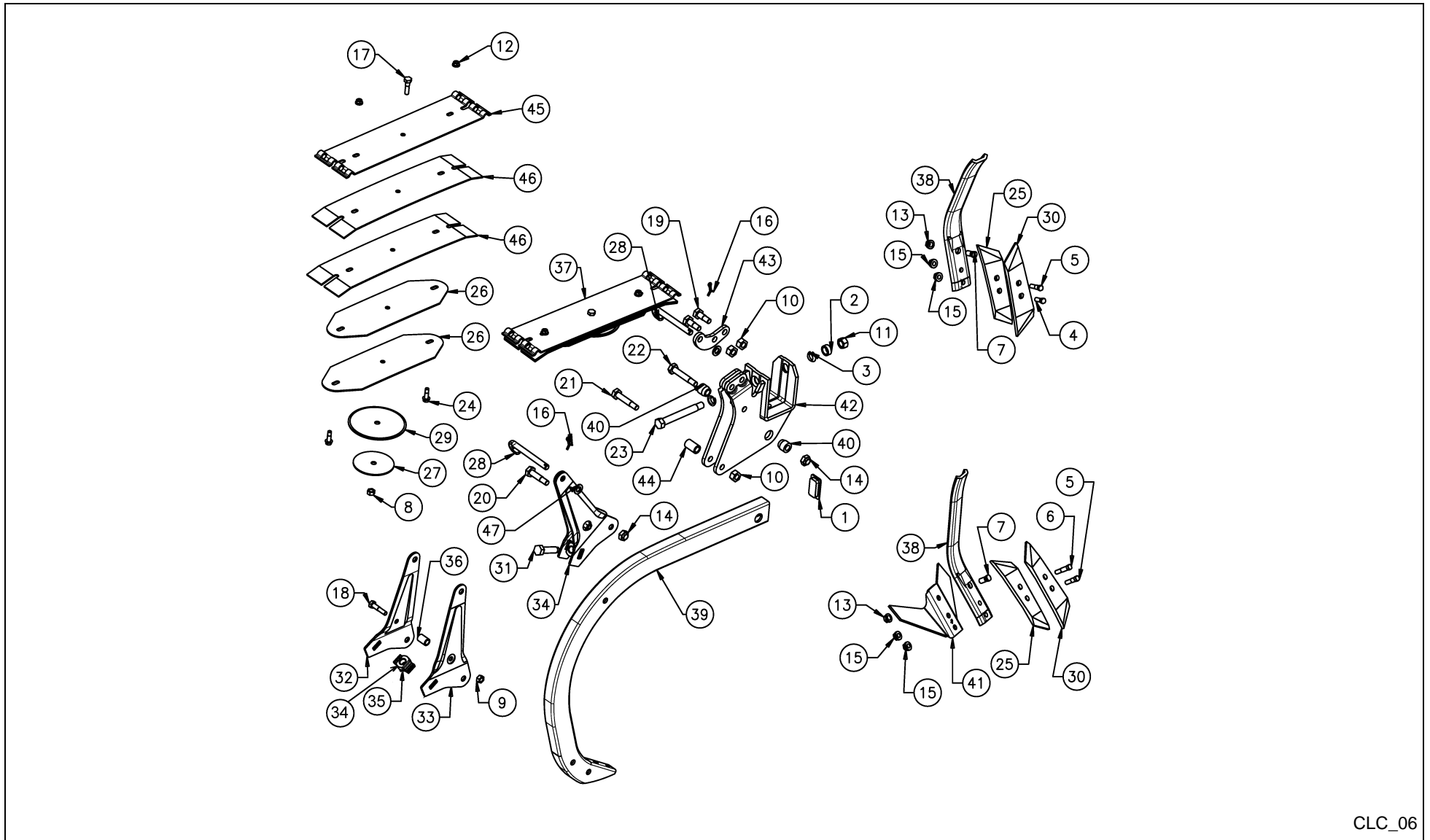
PosNo.	Part No.	Qty.	Description	Remark
1	KG00353261		HEX. BOLT M8X40 8.8	
2	RF02772		CAP FOR PUSH PULL	
3	RF14799		HOSE CLIP	
4	RF14800		BLADE FOR HOSE CLIP	
5	RF25220		HYDRAULIC COUPLER	
6	RF25251		HOSE 2SC DN8 LG1500 ETC12L/ETC12L90°	
7	RF25253		T HYDRAULIC COUPLER	
8	RF25307		HOSE 2SC DN8 LG1000 ETC12L/ETC12L90°	
9	RF29334		HOSE HH2SC08 N00-12L_N00-12L 02000	
10	RF26339		FEED SETTING RIND DIA 1 MM	
11	RF29043		PUSH PULL COUPLER TYP CCM1/2-UM12L	
12	RF29044		BARE FEMALE STUD ELBOW WITH O RING 12L	
13	RF29045		BARE METRIC BANJO COUPLING 8L/12X150	
14	RF29046		CONTROLLED DOUBLE VALVE	
15	RF29047		HOSE 2SC DN6 LG2500 ETC8L/ETC12L90°	
16	RFGAINE024		SPIRAL FLEXIBLE SHEATH 16X1 INT. 13	
17	KG00353861		HEX. BOLT M8X70 8.8	



CLC_06

CLC / CLC TINE - NON STOP

PosNo.	Part No.	Qty.	Description	Remark
1	AC271800		SQUARE PLUG	
2	KK010170		BUSHING D30 X D21	
3	KK012813		CONIC WASHER EXTENDED TO D20	
4	KK013228		CONE SCREW M12X34 12.9	
5	KK013244		SCREW M12X45 12.	
6	KK013255		BOLT M12X55	
7	KK013332		CONE SCREW M14 X 34 12.9	
8	KK015817		NUT M12 GALV.	
9	KK015818		NUT M12 BLACK	
10	KK015825		NUT M16	
11	KK015830		NUT M20	
12	KK016007		FLANGE NUT M10	
13	KK016015		FLANGE NUT M14 GALV.	
14	KK016025		LOCK NUT M16	
15	KK016038		FLANGE NUT M12	
16	KK029727		SPLIT PIN D5X32	
17	KK032645		HEX BOLT M12X45 8.8	
18	KK032655		HEX BOLT M12 X 55	
19	KK032745		HEX BOLT M16X45 10.9	
20	KK032770		HEX BOLT M16X70 10.9	
21	KK032785		HEX BOLT M16X85 10.9	
22	KK032795		HEX BOLT M16X95 10.9	
23	KK032808		HEX BOLT M20X160 10.9 THREAD L=25	
24	KK035020		FLANGE BOLT M10X34 8.8	
25	KK053090		REVERSIBLE POINT RIGHT	
26	KK057066		SPRING BLADE NO. 3	
27	KK057067		SPRING BLADE NO. 4	
28	KK057089		SPRING BOLT	
29	KK057093		SPRING BLADE D170	
30	KK063090		REVERSIBLE POINT LEFT	
31	KK067042		ADJUST SCREW M20X75 GALV 10.9	
32	KK067063		SIDEPLATE RIGHT	
33	KK067064		SIDEPLATE LEFT	
34	KK077003		LEAF SPRING (ADJ	
35	KK077011		THREADED PIECE M20	
36	KK077012		BUSHING D17.1XD12.4X32	
37	KK084304		LEAF HD CPL. ECOMAT	
38	KK301011		STAY/WEARINGPLAT CLC	
39	KK301054		TINE CLA	
40	KK301080		CONE	

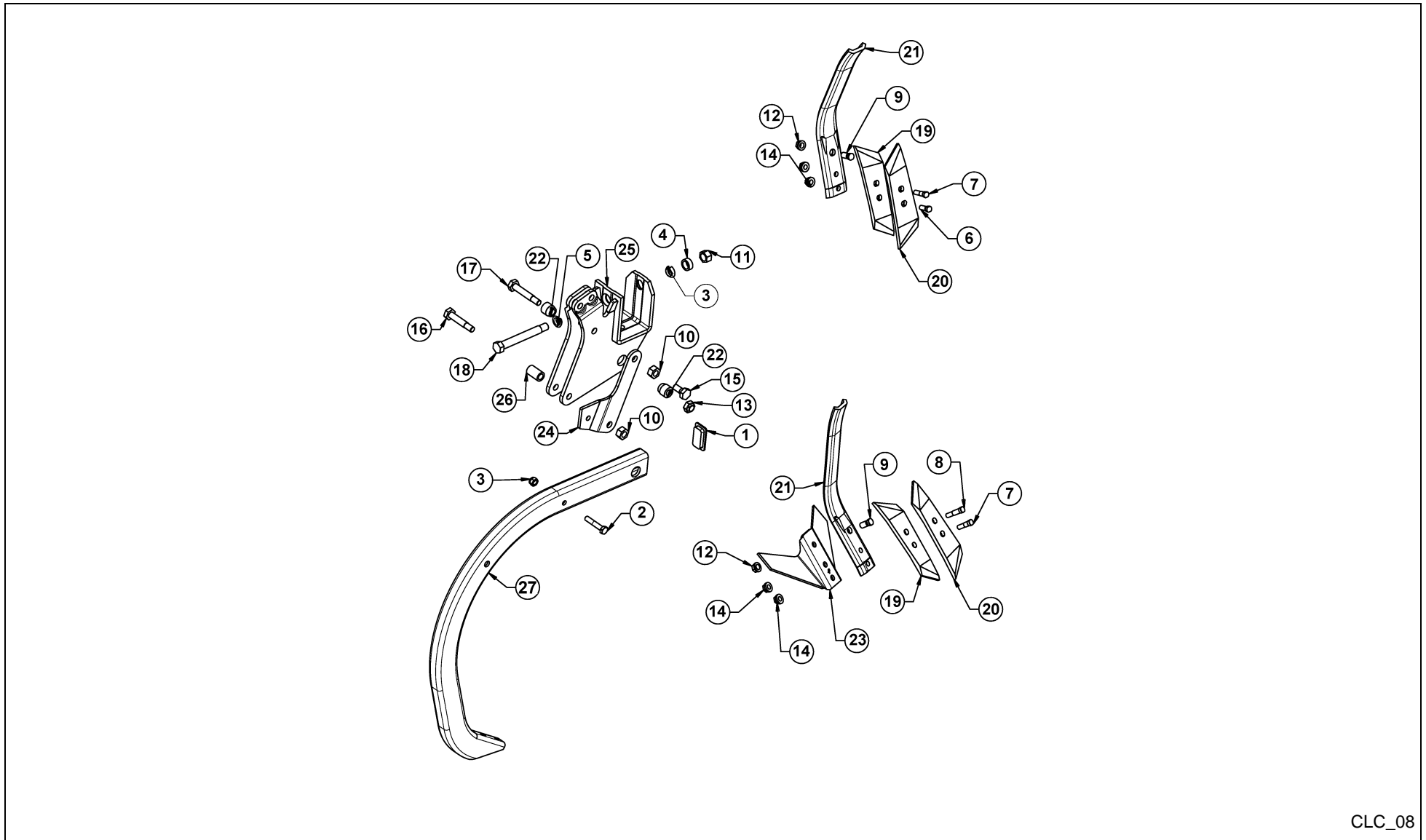


CLC / CLC TINE - NON STOP



PosNo.	Part No.	Qty.	Description	Remark
41	KK301123		WING 300 MM CLC	
42	KK301465		TINE HOLDER WELDED	
43	KK301469		KLEMMPLATTE	
44	KK301472		BUSHING	
45	KK303134		MAIN BLADE	
46	KK303172		BLADE NO.1	
47	RF01991		WASHER 16.5X30X3 NFE 27611	

CLC / CLC TINE - SHEAR BOLT SECURITY



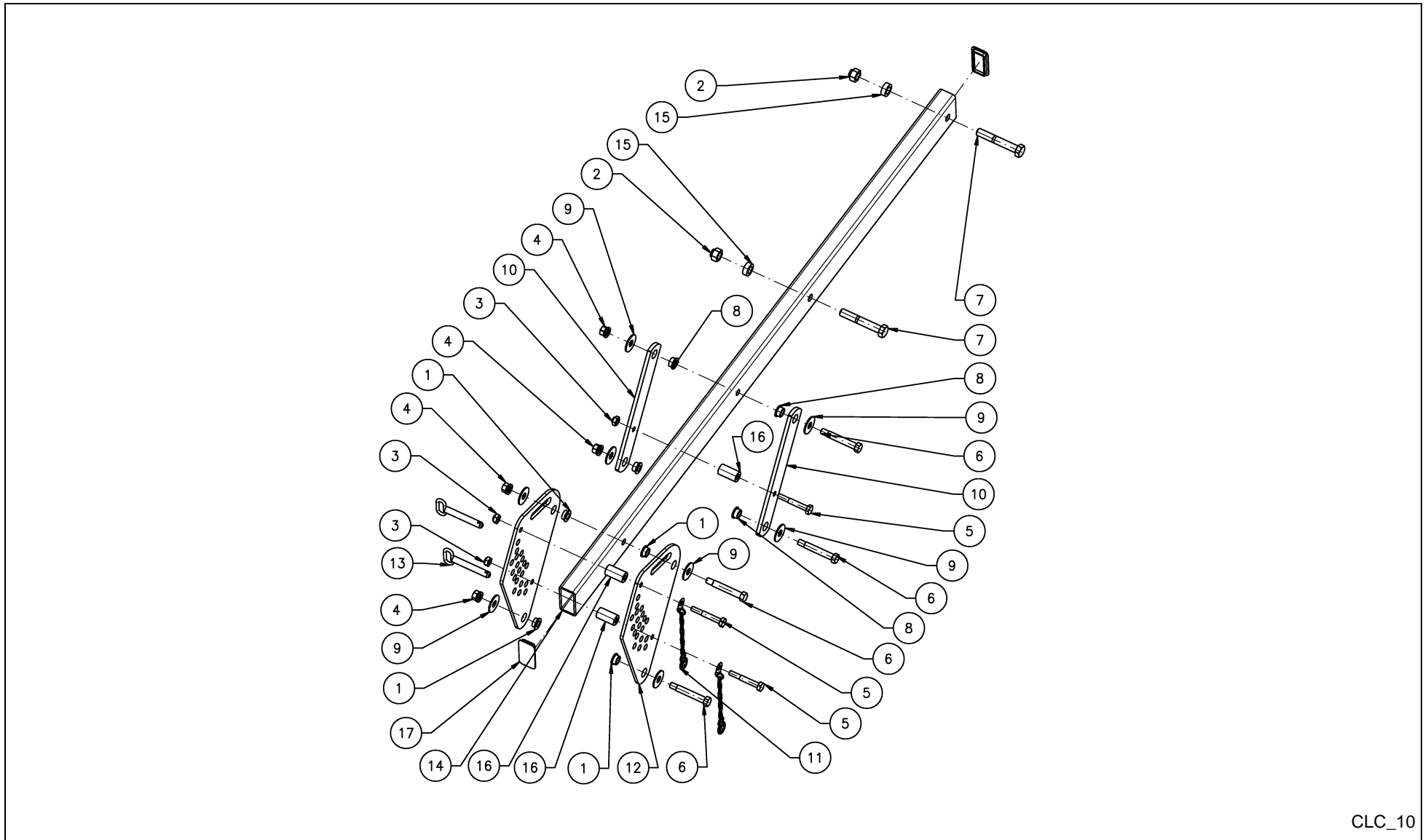
CLC_08

CLC / CLC TINE - SHEAR BOLT SECURITY



PosNo.	Part No.	Qty.	Description	Remark
1	AC271800		SQUARE PLUG	
2	KG00357861		HEX. BOLT M12X65 8.8	
3	KG01067761		LOCK NUT M12 8	
4	KK010170		BUSHING D30 X D21	
5	KK012813		CONIC WASHER EXTENDED TO D20	
6	KK013228		CONE SCREW M12X34 12.9	
7	KK013244		SCREW M12X45 12.	
8	KK013255		BOLT M12X55	
9	KK013332		CONE SCREW M14 X 34 12.9	
10	KK015825		NUT M16	
11	KK015830		NUT M20	
12	KK016015		FLANGE NUT M14 GALV.	
13	KK016025		LOCK NUT M16	
14	KK016038		FLANGE NUT M12	
15	KK032735		HEX BOLT M16X35 10.9	
16	KK032785		HEX BOLT M16X85 10.9	
17	KK032795		HEX BOLT M16X95 10.9	
18	KK032808		HEX BOLT M20X160 10.9 THREAD L=25	
19	KK053090		REVERSIBLE POINT RIGHT	
20	KK063090		REVERSIBLE POINT LEFT	
21	KK301011		STAY/WEARINGPLAT CLC	
22	KK301080		CONE	
23	KK301123		WING 300 MM CLC	
24	KK301455		PLATE	
25	KK301465		TINE HOLDER WELDED	
26	KK301472		BUSHING	
27	KK301475		TINE CLC SHORT	

CLC / PARALLELOGRAM ARM

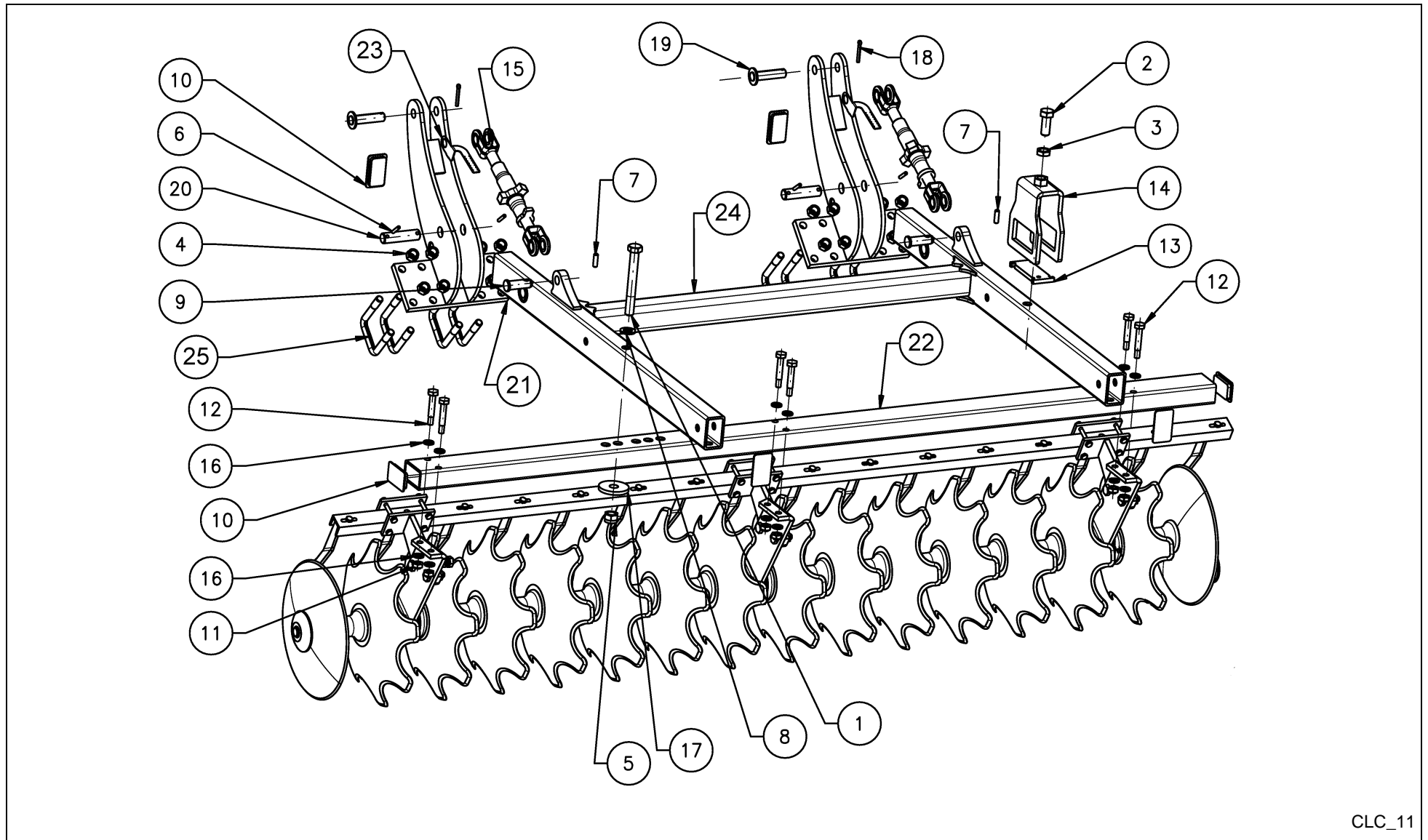


CLC_10

CLC / PARALLELOGRAM ARM



PosNo.	Part No.	Qty.	Description	Remark
1	KK011619		FORING F.PARALLELLØFT KLA	
2	KK016001		LOCK NUT M24 10 GALV.	
3	KK016025		LOCK NUT M16	
4	KK016049		FLANGE NUT M20 WITH LOCK	
5	KK032702		HEX BOLT M16X110	
6	KK032811		HEX BOLT M20X130 10.9	
7	KK032908		HEX BOLT M24X150 10.9	
8	KK310075		SLIDE BEAR W-FLANGE D20X16-D30X13	
9	KW101018903		WASHER D 22 DIN 440	
10	KW217025610		UMLENKSTREBE HOHLSCHEIBENS.FL.70X12X465	
11	KW330050621		SECURING ELEMENT D=6 WITH CHAIN AND PLAT	
12	RF26460		SETTING PARALLELOGRAM PLATE	
13	RF26461		SETTING AXLE	
14	RF28082		TUBE 120X60X6.3 - 2365	
15	RF28345		BUSHING DIA25-DIA42X15	
16	RF28362		CTC PARALLELOGRAM BUSH	
17	RF28369		PLASTIC PLUG 120X60X6.3	

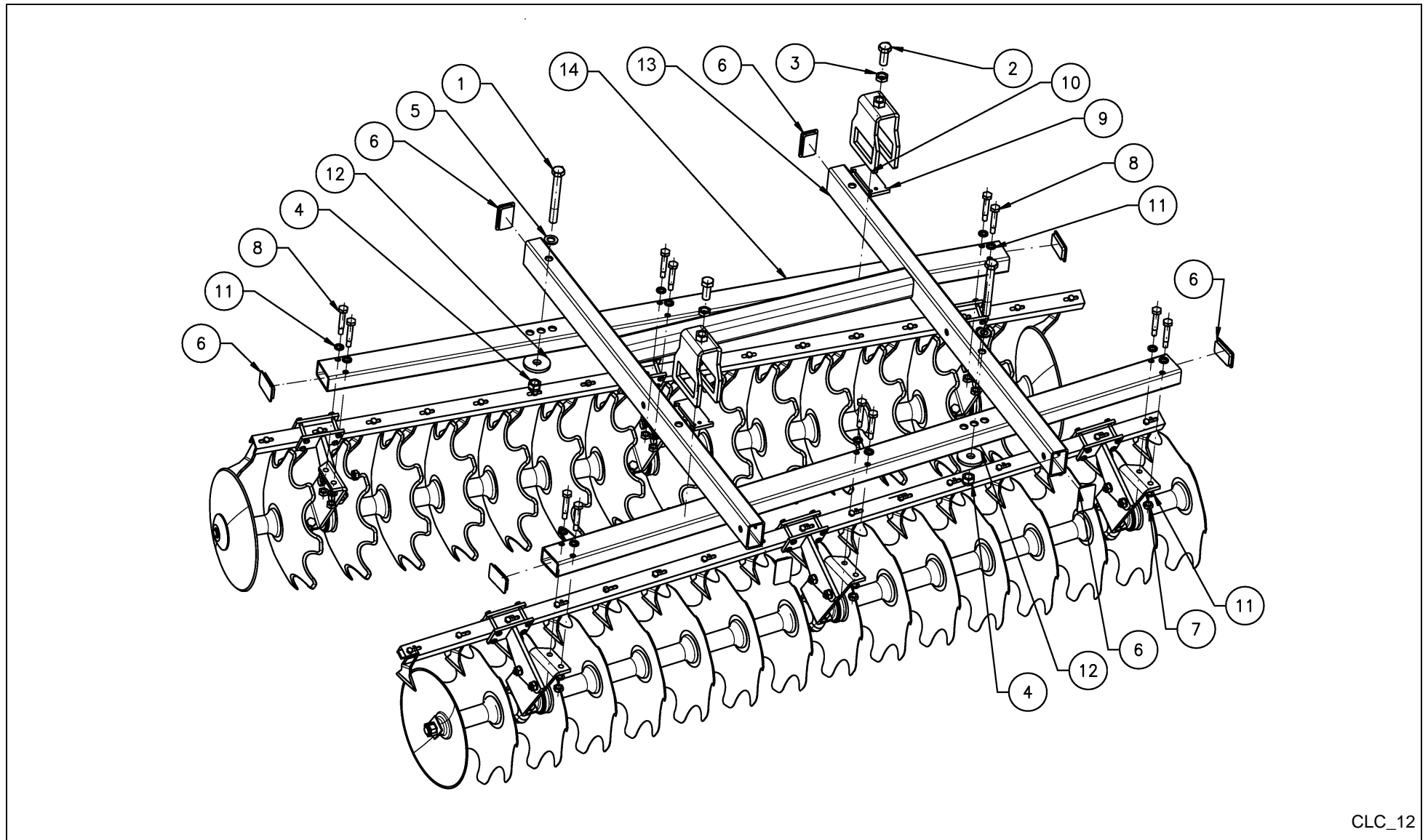


CLC_11

CLC / COMBI-DISC



PosNo.	Part No.	Qty.	Description	Remark
1	KG00372361		HEX. BOLT M24X200 8.8	
2	KG00486361		HEX. SCREW M24X60 8.8	
3	KG01043961		HEX. NUT THIN M24 8	
4	KG01068161		LOCK NUT M20 8	
5	KG01068361		LOCK NUT M24 8	
6	KG01191962		TENSION PIN 8X45	
7	KG01195400		TENSION PIN 12X40	
8	KG01268161		WASHER M24	
9	KK010315		BOLT W/ HEAD D25.3X60	
10	KK011131		PLUG 100X60X6.3	
11	KK016025		LOCK NUT M16	
12	KK032795		HEX BOLT M16X95 10.9	
13	KK301015		PLATE	
14	KW250130		BRACKET FOR ARM	
15	KK361120		TURNBUCKLE 390-520	
16	KW101003020		WASHER HV Ø=17 DIN 6916 GALVANIZED	
17	KW308002010		WASHER D88XD25,5-10	
18	RF00027		COTTER PIN 7X60 TOTAL ZN	
19	RF06317		PIN ZN	
20	RF13944		PIN LG118	
21	RF27061		CTC ROLLER FORK WELDED	
22	RF2956294		10 DISC GANG TUBE HOLDER	
22	RF2943994		14 DISC GANG TUBE HOLDER	
22	RF2843094		16 DISC GANG TUBE HOLDER	
22	RF2843194		18 DISC GANG TUBE HOLDER	
22	RF2843294		21 DISC GANG TUBE HOLDER	
23	RF2972800		TURNBUCKLE RULE 65 MM	
24	RF2980194		3.00/3.50 M 2R H COMBI DISC	
24	RF2980294		4.00 M 2R H COMBI DISC	
24	RF2842494		3.00/3.50 M H COMBI DISC	
25	RG00049729		ZINCED YOKE SCREW M20-8.8	

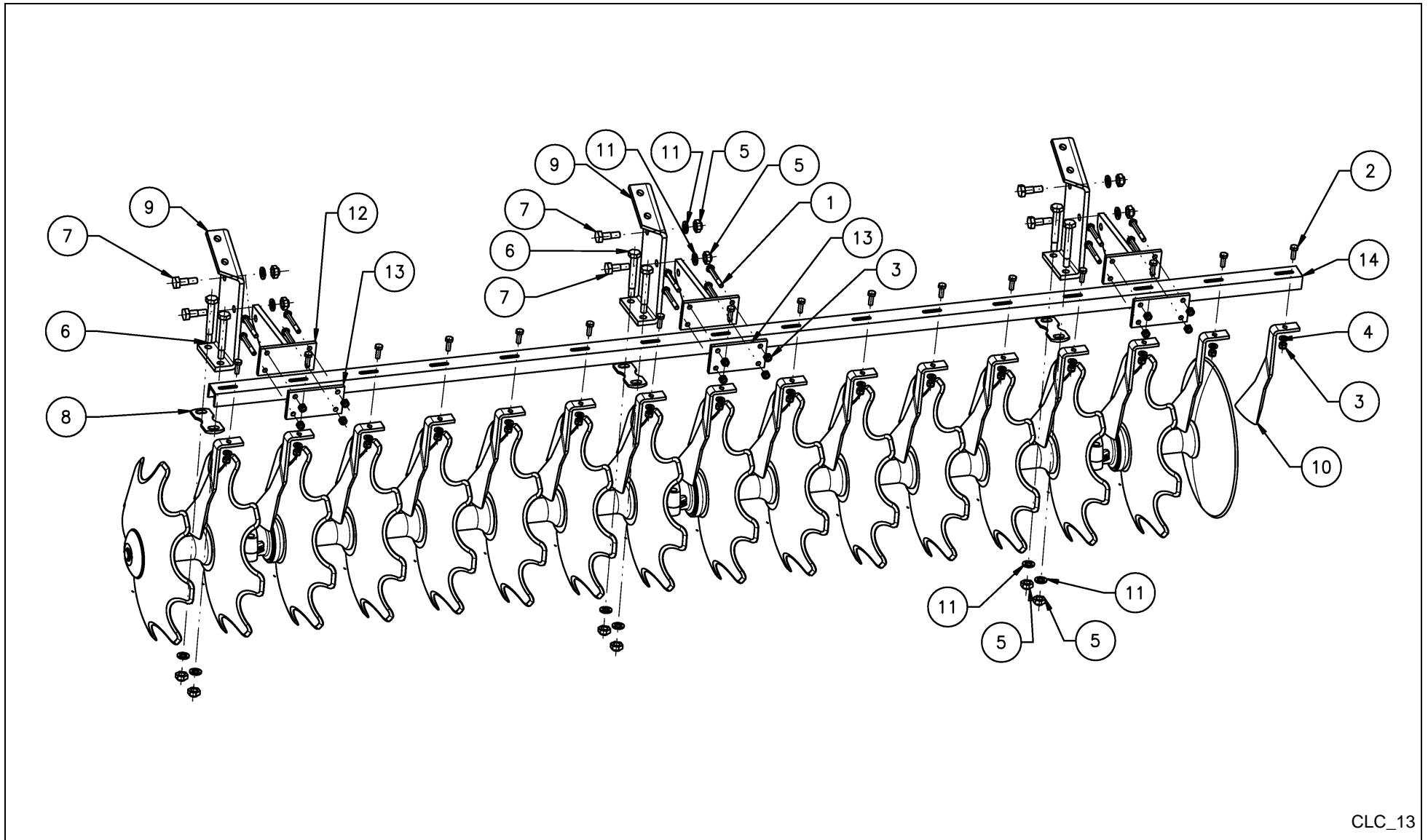


CLC_12

CLC / DOUBLE DISC GANG



PosNo.	Part No.	Qty.	Description	Remark
1	KG00372361		HEX. BOLT M24X200 8.8	
2	KG00486361		HEX. SCREW M24X60 8.8	
3	KG01043961		HEX. NUT THIN M24 8	
4	KG01068361		LOCK NUT M24 8	
5	KG01268161		WASHER M24	
6	KK011131		PLUG 100X60X6.3	
7	KK016025		LOCK NUT M16	
8	KK032795		HEX BOLT M16X95 10.9	
9	KK301015		PLATE	
10	KW250130		BRACKET FOR ARM	
11	KW101003020		WASHER HV Ø=17 DIN 6916 GALVANIZED	
12	KW308002010		WASHER D88XD25,5-10	
13	RF2980694		3.00/3.50M 2R H DOUBLE DISC GANG	
13	RF2980794		4.00 M 2R H DOUBLE DISC GANG	
13	RF2842694		FOLD + RIGID 3.00/3.50 M H DOUBLE DISC	
14	RF2956294		10 DISC GANG TUBE HOLDER	
14	RF2943994		14 DISC GANG TUBE HOLDER	
14	RF2843094		16 DISC GANG TUBE HOLDER	
14	RF2843194		18 DICS GANG TUBE HOLDER	
14	RF2843294		21 DICS GANG TUBE HOLDER	

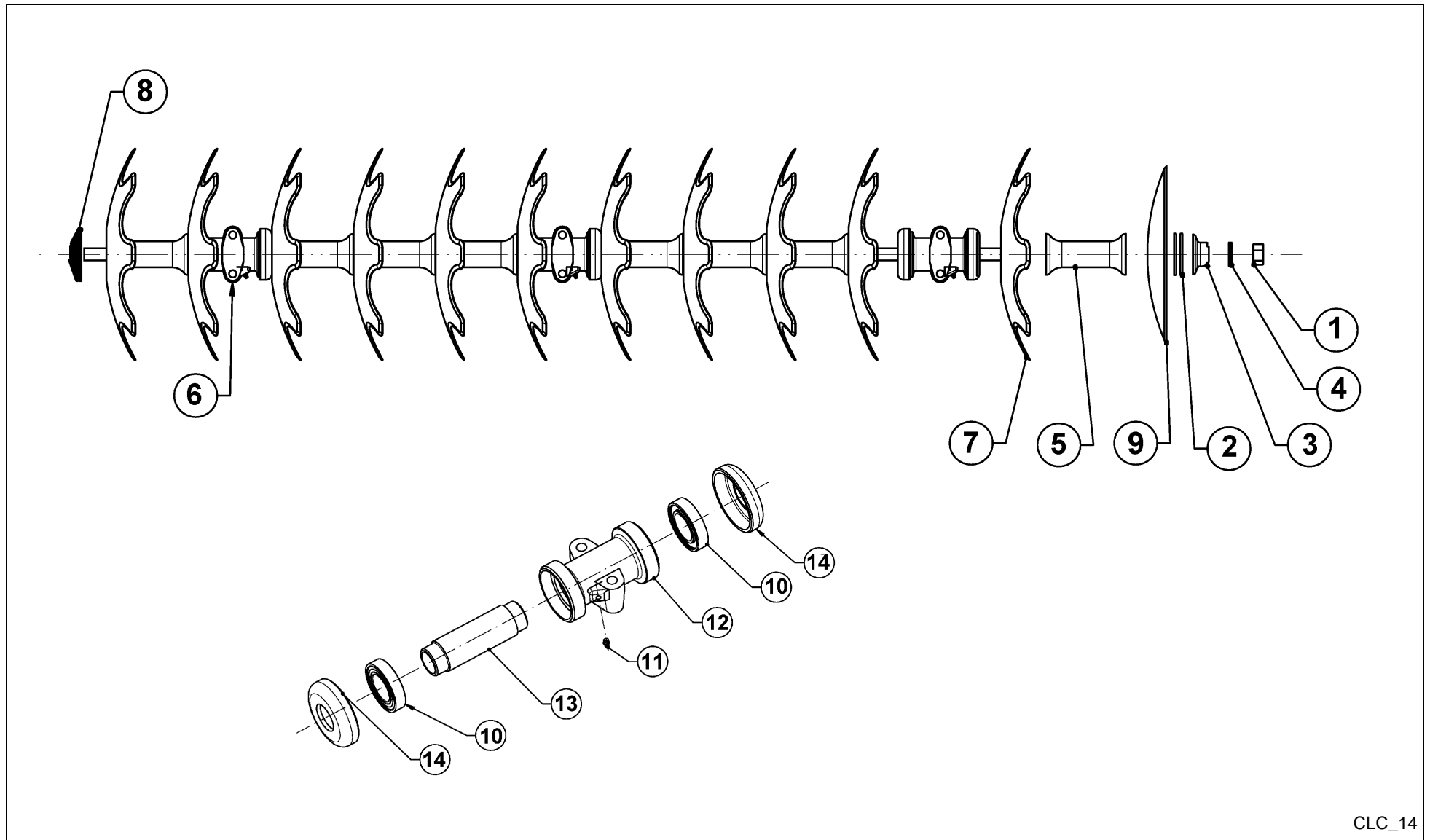


CLC_13

CLC / DISC GANG EQUIPED



PosNo.	Part No.	Qty.	Description	Remark
1	KG00356061		HEX. BOLT M10X80 8.8	
2	KG00474361		HEX. SCREW M10X30 8.8	
3	KG01067661		LOCK NUT M10 8	
4	KG01267461		WASHER M10	
5	KK016025		LOCK NUT M16	
6	KK032703		HEX BOLT M16X115 10.9	
7	KK032750		HEX BOLT M16X50 10.9	
8	KW250821		SPACER F. BEARING BLOCK DISC-SECTION	
9	KK301016		BRACKET V FESTE SKÅLV. CLA/R	
9	KK301099		BRACKET H. FESTE SKÅLV CLA/R	
10	KW301020		SCRAPER REAR ROLLER	
10	KW301019		SCRAPER FRONT ROLLER	
11	KW101003020		WASHER HV Ø=17 DIN 6916 GALVANIZED	
12	KW129220301019		HALTER FÜR ABSTREIFER	
13	KW217018004		GEGENPLATTE F.ABSTREIFER-	
14	KW890220301104		SCRAPER RAIL L= 1620MM	
14	KW890220301118		SCRAPER RAIL L=1810MM FOR CLC DISC SECTI	
14	KW890220301119		SCRAPER RAIL L=2190MM FOR CLC DISC SECTI	
14	KW890220301121		SCRAPER RAIL L=2570MM	
14	KW890220301122		SCRAPER RAIL L=2950MM	

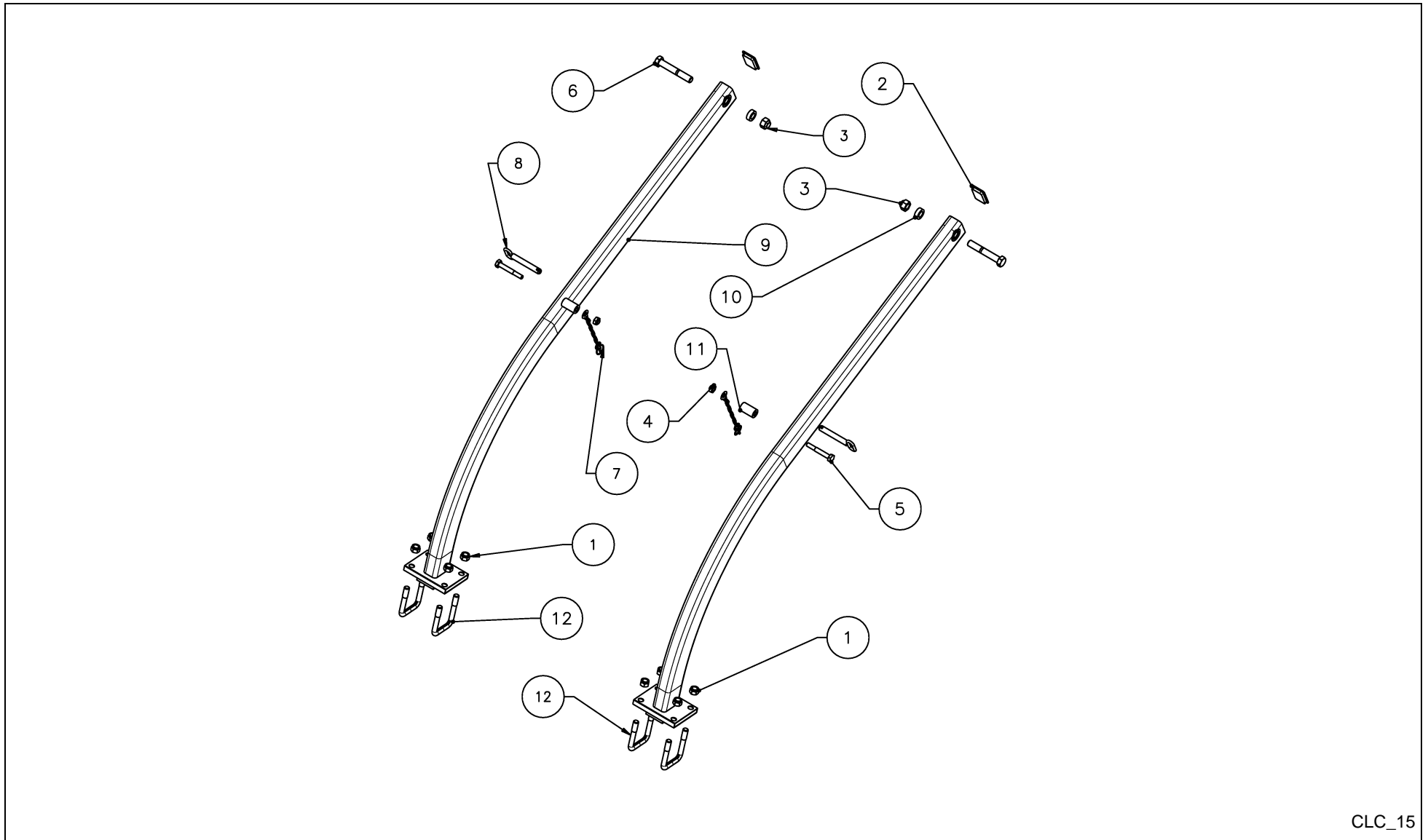


CLC_14

CLC / DISC-GANG



PosNo.	Part No.	Qty.	Description	Remark
1	KK015942		NUT 1.1/8UNC CLASS 10	
2	KK121102		THRUST WASHER	
3	KW250820		FLANGE F. DISC-SECTION	
4	KK121112		TAB WASHER	
5	KK121118		SPACING TUBE	
6	KK121135		BEARING CPL.	
7	KK121205		DISC 20"	
8	KW250140		SQUARE SHAFT L=1625M FOR 9 DISC CPL.	
8	KW250139		SQUARE SHAFT L=1810MM FOR 10 DISC CPL.	
8	KW250136		SHAFT L=2210MM FOR 12 DISC CPL.	
8	KW250137		SHAFT L=2590MM FOR 14 DISC CPL.	
8	KW250135		SQUARE SHAFT L=2960MM FOR 16 DISC CPL.	
9	KW999110001081		DISC 410X5 EVEN (NOT PAINTED)	
10	KG01479100		BALL BEARING 6210-RS C3	
11	KK029920		GREASE NIPPLE M8X1 STRAIGHT	
12	KK121131		BEARRING HOUSING	
13	KK121132		TUBULAR INNER BE	
14	KK121133		ENDCAP	

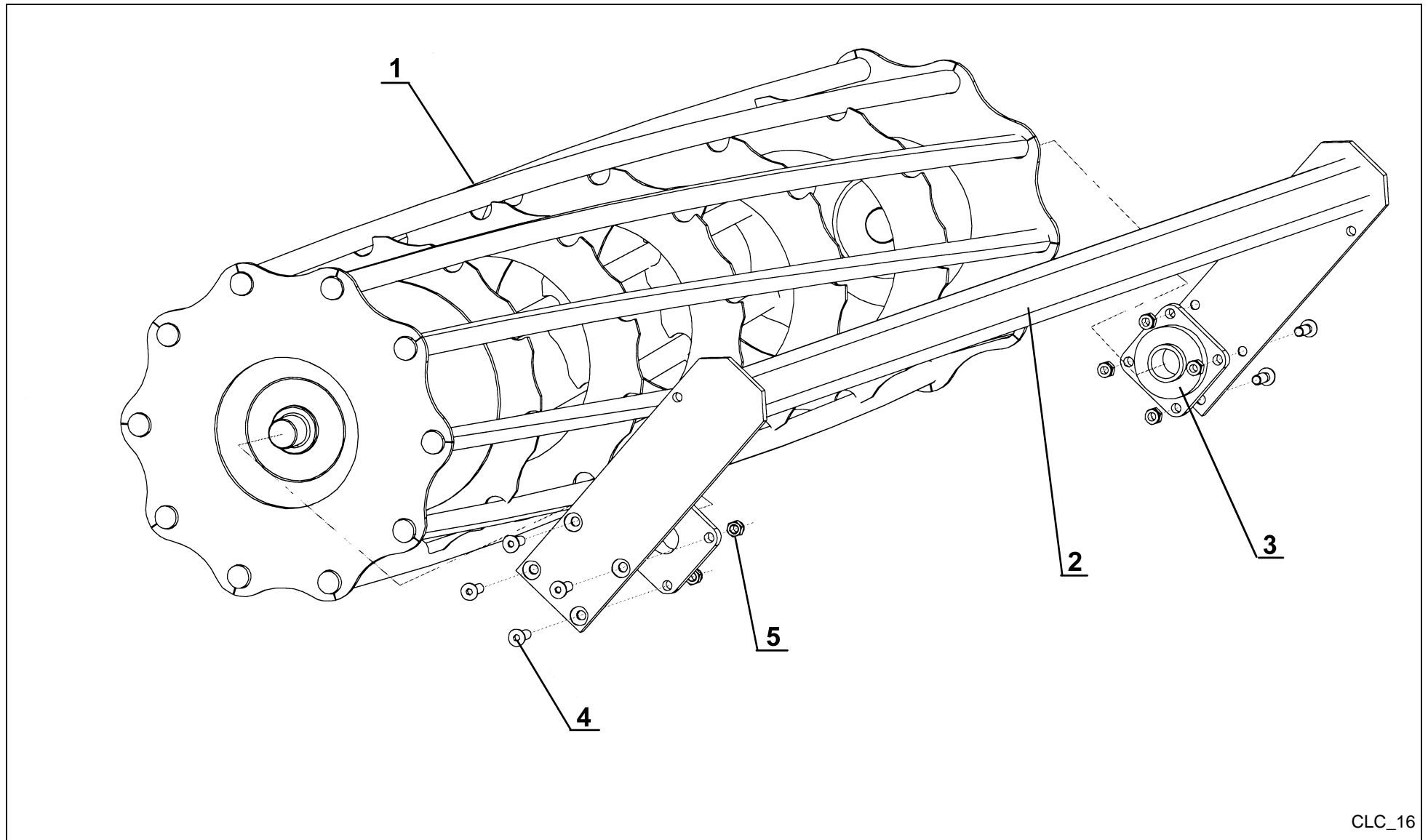


CLC_15

CLC / ARM ROLLER



PosNo.	Part No.	Qty.	Description	Remark
1	KG01068161		LOCK NUT M20 8	
2	KK011131		PLUG 100X60X6.3	
3	KK016001		LOCK NUT M24 10 GALV.	
4	KG01068161		LOCK NUT M20 8	
5	KG00367361		HEX. BOLT M20X120 8.8	
6	KK032908		HEX BOLT M24X150 10.9	
7	KW330050621		SECURING ELEMENT D=6 WITH CHAIN AND PLAT	
8	RF26461		SETTING AXLE	
9	RF2830794		ROLLER ARM	
10	RF28345		BUSHING DIA25-DIA42X15	
11	RF2837063		BUSH Ø30/20.5 LENGHT 62	
12	RG00049729		ZINCED YOKE SCREW M20-8.8	

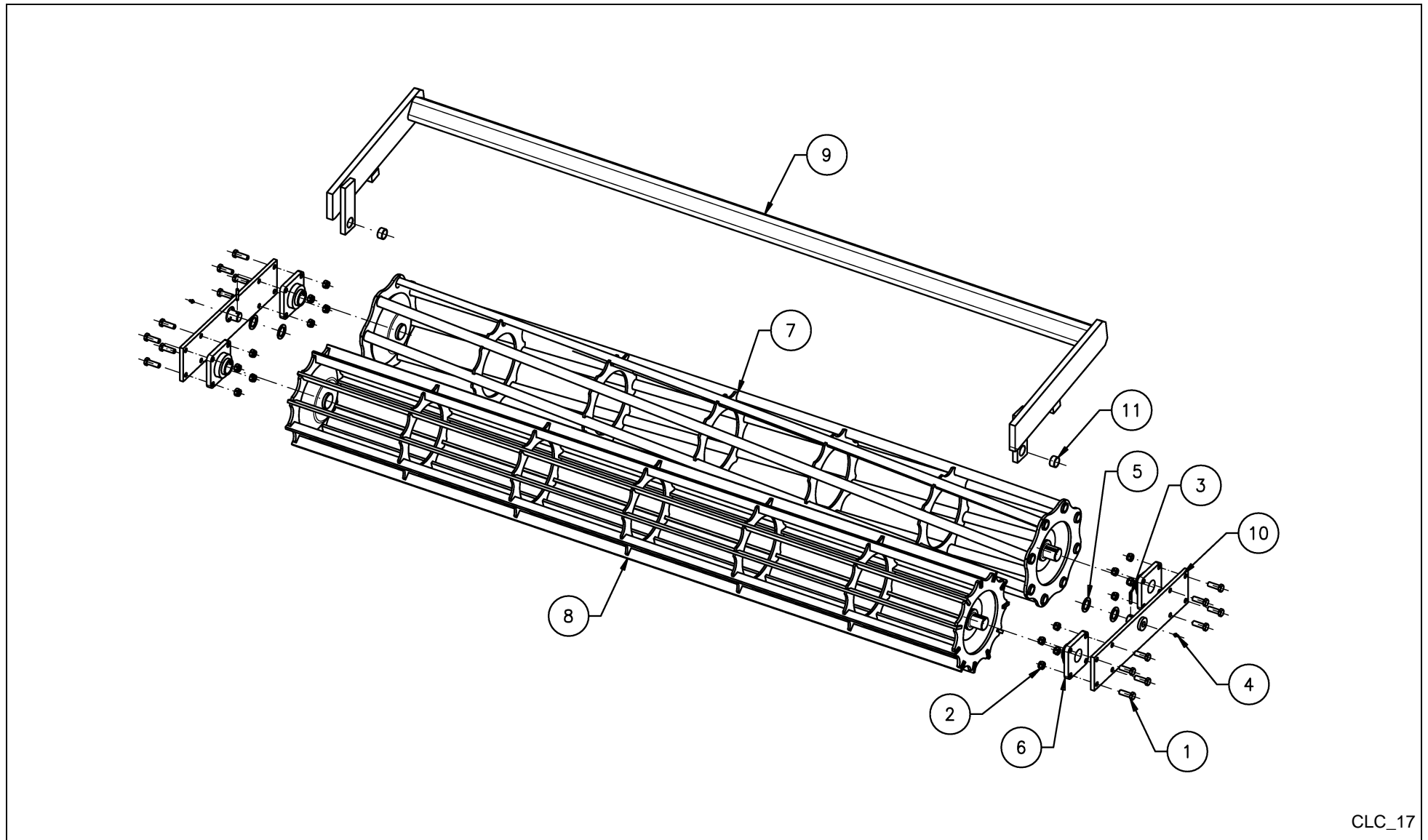


CLC_16

CLC / PIPE ROLLER



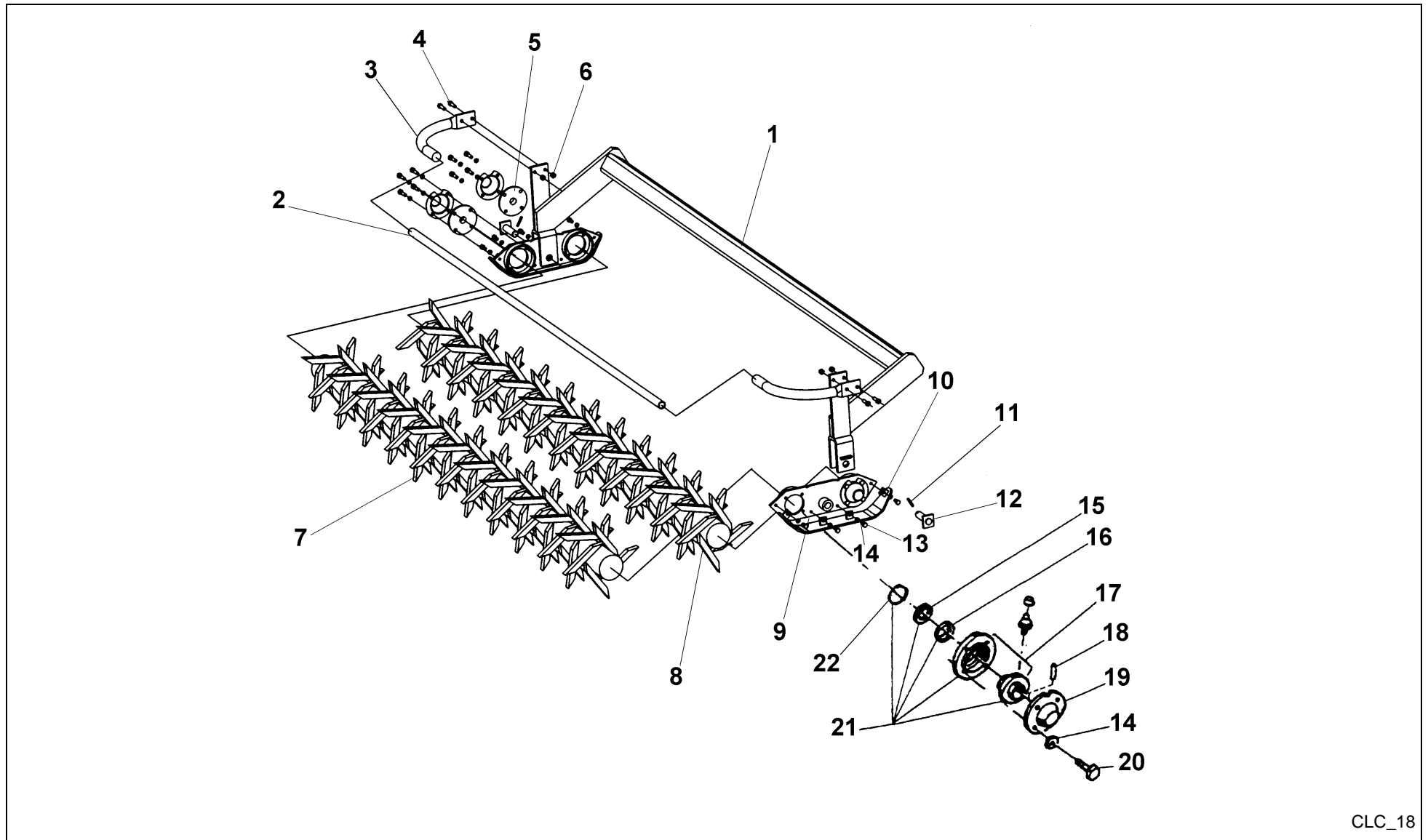
PosNo.	Part No.	Qty.	Description	Remark
1	RF24254		KV CAGE ROLLER Ø550 LG 3.00 M AXLE 50 MM	
1	RF24253		KV CAGE ROLLER Ø550 LG 3.50 M AXLE 50 MM	
1	RF24252		KV CAGE ROLLER Ø550 LG 4.00 M AXLE 50 MM	
1	RF24257		KV CAGE ROLLER Ø550 LG 2.00 M AXLE 50 MM	
1	RF24255		KV CAGE ROLLER Ø550 LG 2.50 M AXLE 50 MM	
2	RF24382		BEAM ROLLER 550 LENGHT 3.00 M AXLE 50 MM	
2	RF24383		BEAM ROLLER 550 LENGHT 3.50 M AXLE 50 MM	
2	RF24384		BEAM ROLLER 550 LENGHT 4.00 M AXLE 50 MM	
2	RF24379		BEAM ROLLER 550 LENGHT 2.00 M AXLE 50 MM	
2	RF24381		BEAM ROLLER 550 LENGHT 2.50 M AXLE 50 MM	
3	RF23769		BEARING UCF 210	
4	RF23601		COUNTERSUNK HEAD SCREW M20X80 10.9	
5	KG01067961		LOCK NUT M16 8	



CLC / DOUBLE ROLLER



PosNo.	Part No.	Qty.	Description	Remark
1	KG00480461		HEX. SCREW M16X50 8.8	
2	KG01067961		LOCK NUT M16 8	
3	KG01192062		TENSION PIN 8X50	
4	RF00166		GREASE NIPPLE M6X100	
5	RF18553		RING DIA 55X36X3	
6	RF23769		BEARING UCF 210	
7	RF2495488		ROULEAU RT20 Ø400 KV	
7	RF3014888		ROULEAU RT22.5 Ø400 KV	
7	RF2620988		ROULEAU RT25 Ø400 KV	
7	RF2621088		ROULEAU RT30 Ø400 KV	
7	RF3014988		ROULEAU RT35 Ø400 KV	
7	RF2621188		ROULEAU RT40 Ø400 KV	
8	RF2622888		ROULEAU BARRE RB20 Ø400 KV	
8	RF3015088		ROULEAU BARRE RB22.5 Ø400 KV	
8	RF2622988		ROULEAU BARRE RB25 Ø400 KV	
8	RF2623088		ROULEAU BARRE RB30 Ø400 KV	
8	RF3015188		ROULEAU BARRE RB35 Ø400 KV	
8	RF2623188		ROULEAU BARRE RB40 Ø400 KV	
9	RF2626394		SUPPORT POUR DOUBLE ROULEAU 2.00 M	
9	RF3015494		SUPPORT POUR DOUBLE ROULEAU 2.25 M	
9	RF2626494		SUPPORT POUR DOUBLE ROULEAU 2.50 M	
9	RF2626594		SUPPORT POUR DOUBLE ROULEAU 3.00 M	
9	RF3015594		SUPPORT POUR DOUBLE ROULEAU 3.50 M	
9	RF2626694		SUPPORT POUR DOUBLE ROULEAU 4.00 M	
10	RF2626794		SUPPORT PALIER POUR DOUBLE ROULEAU	
11	RF29848		RING 35-39 LENGHT 20	

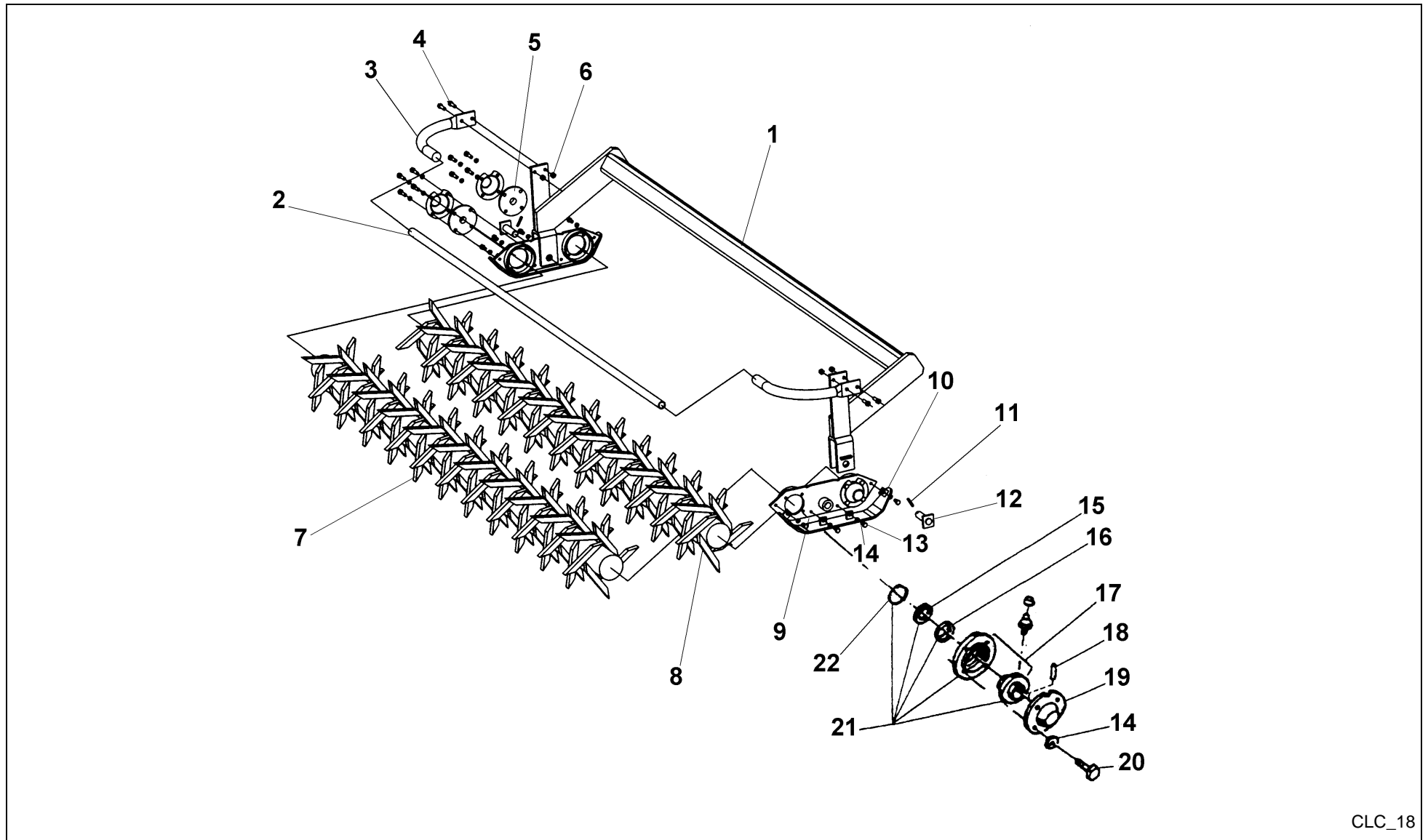


CLC_18

CLC / TWIN STAR ROLLER



PosNo.	Part No.	Qty.	Description	Remark
1	RF26193		BEAM FOR DRE 2.00 M	
1	RF26194		BEAM FOR DRE 2.25 M	
1	RF26195		BEAM FOR DRE 2.50 M	
1	RF26186		BEAM FOR DRE 3.00 M	
1	RF26196		BEAM FOR DRE 3.40 M	
1	RF26197		BEAM FOR DRE 4.00 M	
2	RG00055417		PROTECTION BAR FOR DRE 20 LG 1594	
2	RG00055819		PROTECTION BAR DRE 22 1840	
2	RG00055419		PROTECTION BAR FOR DRE 25 LG 2086	
2	RG00055421		PROTECTION BAR FOR DRE 30 LG 2455	
2	RG00061023		PROTECTION BAR FOR DRE 34 LG 3070	
2	RG00055423		PROTECTION BAR FOR DRE 40 LG 3562	
3	RG00055534		SIDE PROTECTION BAR FOR DRE	
4	RF00724		SCREW TH 12X40 8.8 ZN NF E27311	
5	RF11948		BEARING CPL. WITH SEALS	
6	KG01067761		LOCK NUT M12 8	
7	RG00058462		FRONT ROTOR DRE STP 2.00 M	
7	RG00058463		WELDED FRONT ROTOR DRE 2.25 M	
7	RG00058464		FRONT ROTOR DRE STP 2.50 M	
7	RG00058466		FRONT ROTOR DRE STP 3.00 M	
7	RG00061024		WELDED FRONT ROTOR DRE 3.40 M	
7	RG00058467		FRONT ROTOR DRE STP 4.00 M	
8	RG00058480		REAR ROTOR DRE STP 2.00 M	
8	RG00058481		WELDED REAR ROTOR DRE 2.25 M	
8	RG00058482		REAR ROTOR DRE STP 2.50 M	
8	RG00058484		REAR ROTOR DRE STP 3.00 M	
8	RG00061025		WELDED REAR ROTOR DRE 3.40 M	
8	RG00058485		REAR ROTOR DRE STP 4.00 M	
9	RF22386		BEARING HOLDER FOR TWIN STAR ROLLER	
10	RF22344		WELDED SHIELD FOR TWIN STAR ROLLER	
11	KG01191962		TENSION PIN 8X45	
12	RF22380		PIN OF TWIN STAR ROLLER BEARING HOLDER	
13	KG00476461		HEX. SCREW M12X25 8.8	
14	KG01277761		SPRING WASHER M12	
15	RG00058496		WASHER FOR TWIN STAR ROLLER	
16	RG00058497		FELT SEAL FOR TWIN STAR ROLLER	
17	RF0206822		BEARING CPL. FOR DRE STW OR STP	
18	RG00058495		PROTECTION COVER FOR BEARING TWIN STAR	
19	KG00357461		HEX. BOLT M12X45 8.8	
20	RF11948		BEARING CPL. WITH SEALS	

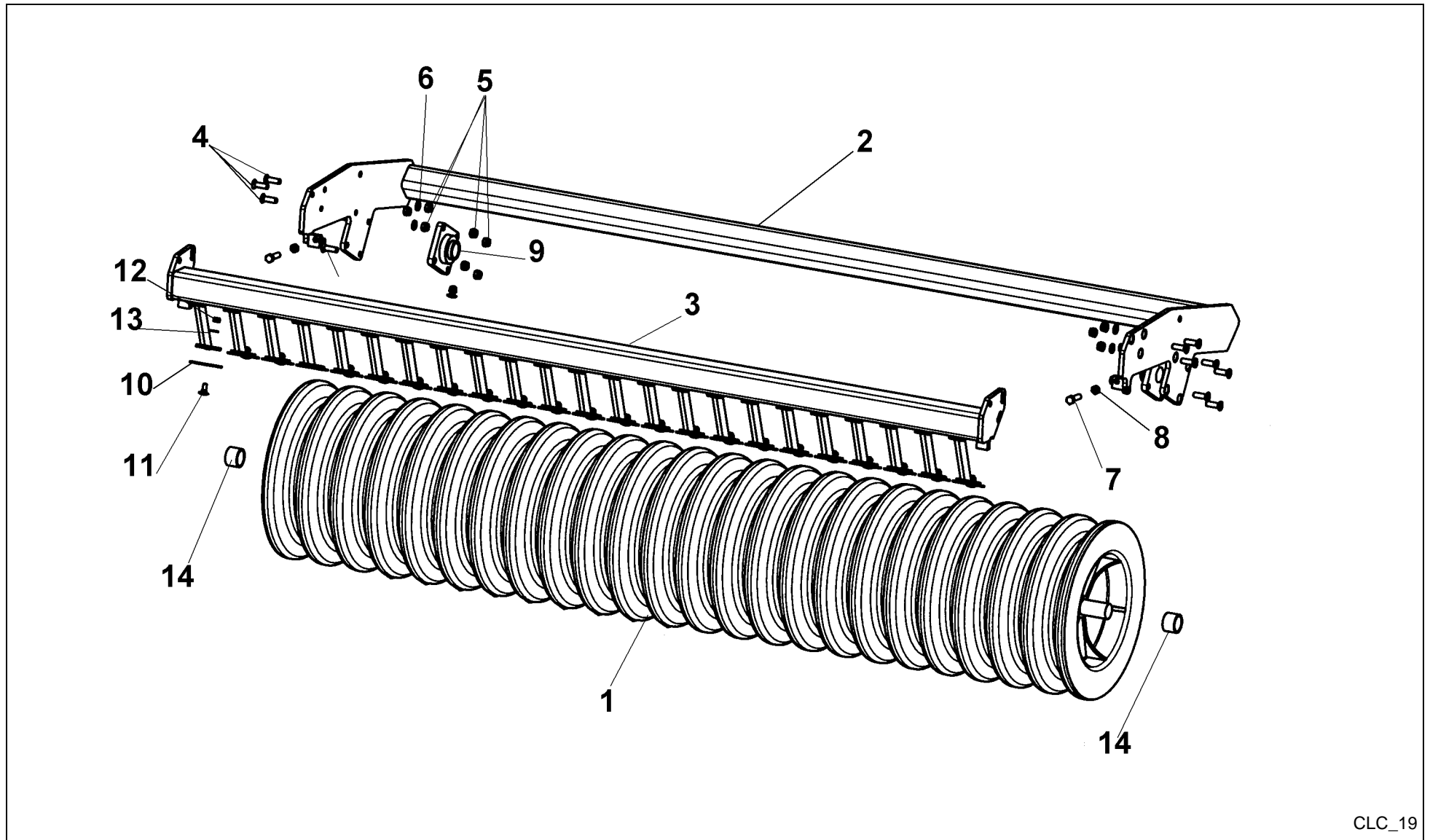


CLC_18

CLC / TWIN STAR ROLLER



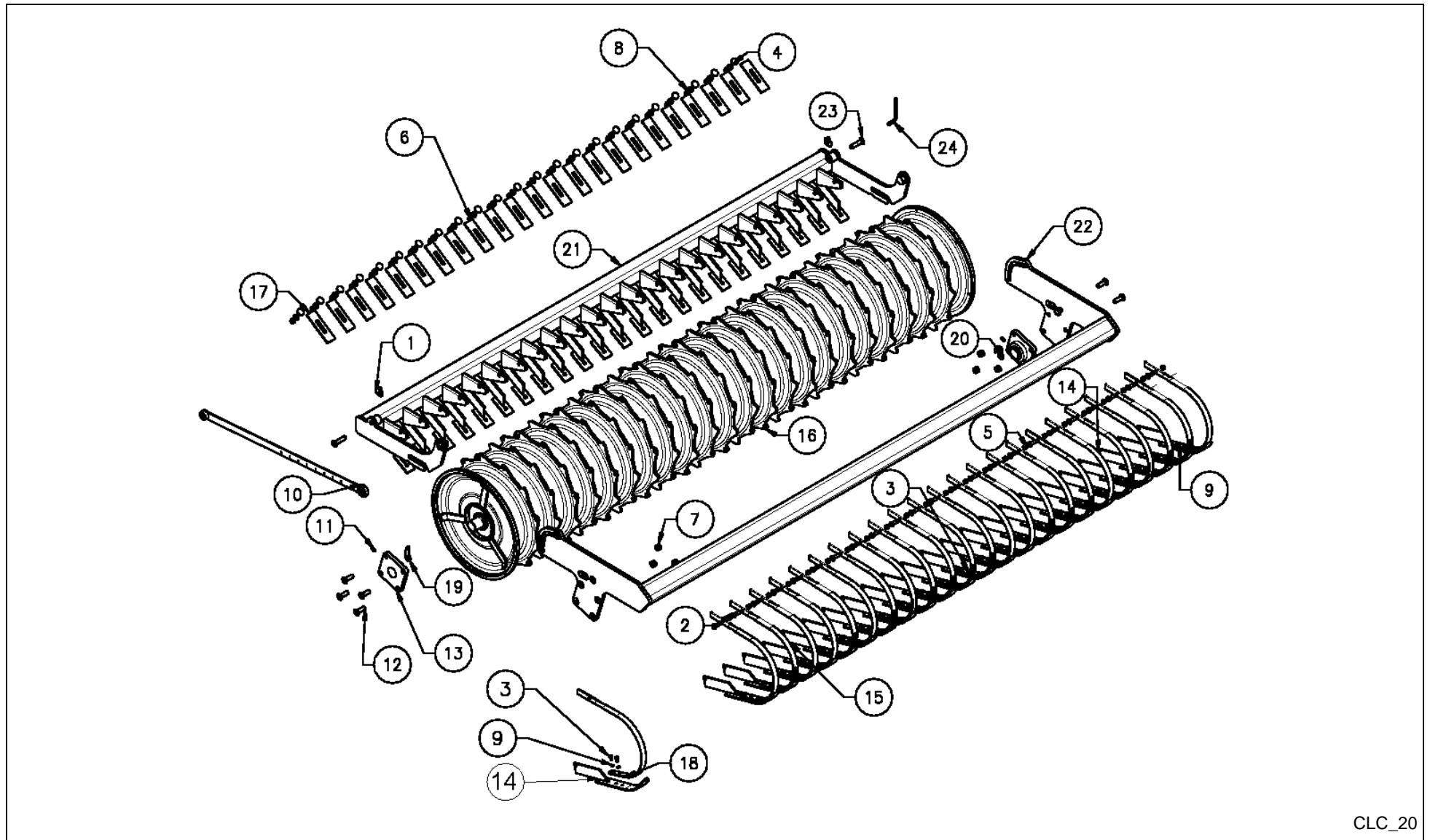
PosNo.	Part No.	Qty.	Description	Remark
21	RF13743		WASHER SKF-ZW 35X42	



CLC / FLEXLINE ROLLER



PosNo.	Part No.	Qty.	Description	Remark
1	RF26172		FLEXLINE ROLLER DIA 586 LENGHT 3.00 M	
1	RF26173		FLEXLINE ROLLER DIA 586 LENGHT 3.50 M	
1	RF26174		FLEXLINE ROLLER DIA 586 LENGHT 4.00 M	
1	RF26169		FLEXLINE ROLLER DIA 586 LENGHT 2.00 M	
1	RF26171		FLEXLINE ROLLER DIA 586 LENGHT 2.50 M	
2	RF25648		KV PACKER ROLLER 600 BEAM 3.00 M WELDED	
2	RF25649		KV PACKER ROLLER 600 BEAM 3.50 M WELDED	
2	RF25650		KV PACKER ROLLER 600 BEAM 4.00 M WELDED	
2	RF25645		KV PACKER ROLLER 600 BEAM 2.00 M WELDED	
2	RF25647		KV PACKER ROLLER 600 BEAM 2.50 M WELDED	
3	RF24076		WELDED SCRAPER BEAM 3.00 M TYPE KV	
3	RF23921		WELDED SCRAPER BEAM 3.50 M TYPE KV	
3	RF23922		WELDED SCRAPER BEAM 4.00 M TYPE KV	
3	RF23917		WELDED SCRAPER BEAM 2.00 M TYPE KV	
3	RF23919		WELDED SCRAPER BEAM 2.50 M TYPE KV	
4	RF23601		COUNTERSUNK HEAD SCREW M20X80 10.9	
5	KG01067961		LOCK NUT M16 8	
6	RF01991		WASHER 16.5X30X3 NFE 27611	
7	KG00362161		HEX. BOLT M16X60 8.8	
8	KG01043561		HEX. NUT THIN M16 8	
9	RF23769		BEARING UCF 210	
10	RF24595		PACK RUBBER ROLLER SCRAPER	
11	KG00644861		CARRIAGE BOLT M12X30 8.8	
12	KG01067761		LOCK NUT M12 8	
13	KG01267561		WASHER M12	
14	RF26162		BRACE FOR FLEXLINE ROLLER BEARING	

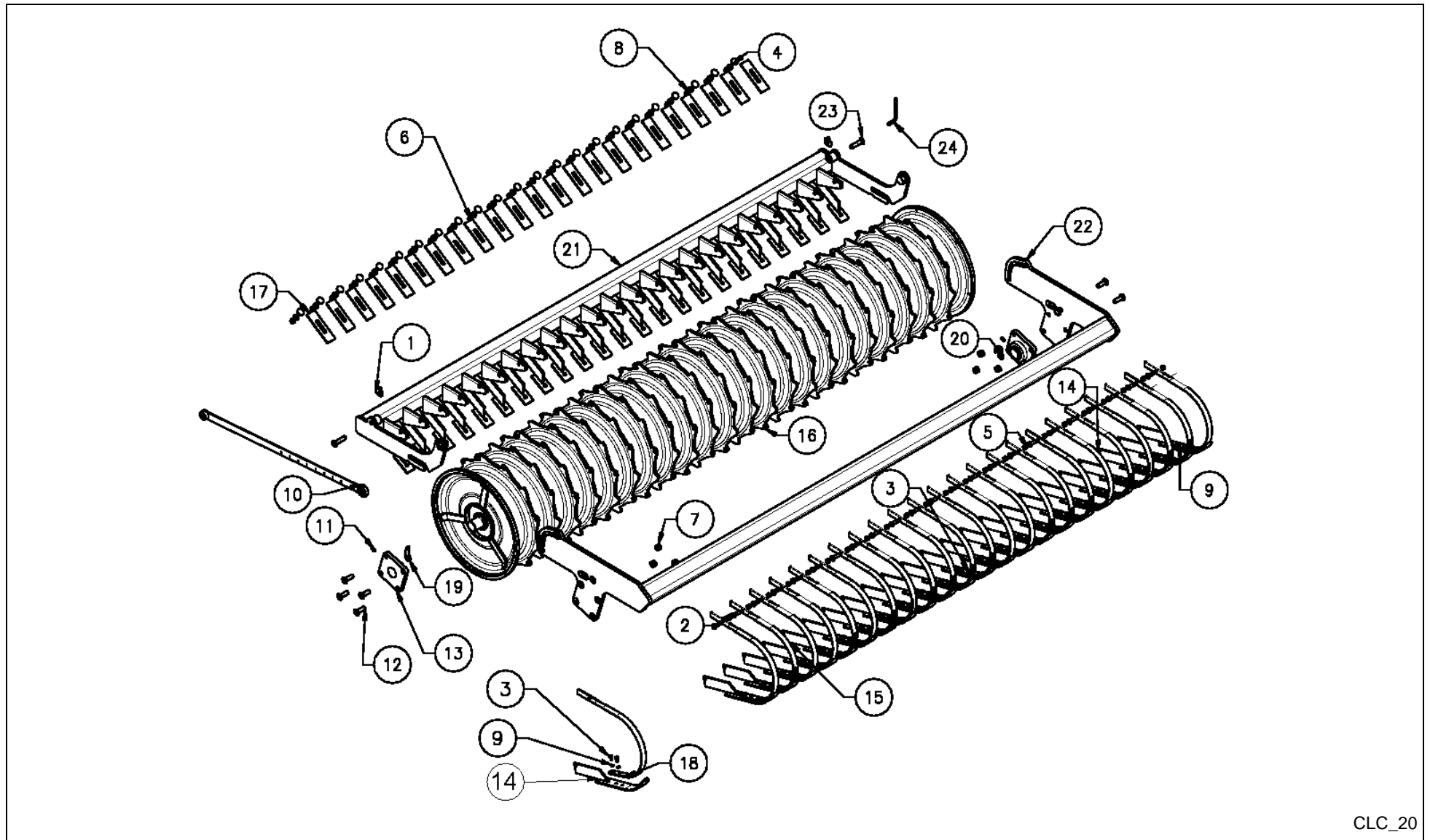


CLC_20

CLC / ACTIPACK ROLLER



PosNo.	Part No.	Qty.	Description	Remark
1	AC656452		SAFETY CLIP D 4.7	
2	KG00456561		HEX. SCREW M10X30 10.9	
3	KG00471761		HEX. SCREW M8X16 8.8	
4	KG00644861		CARRIAGE BOLT M12X30 8.8	
5	KG01067661		LOCK NUT M10 8	
6	KG01067761		LOCK NUT M12 8	
7	KG01067961		LOCK NUT M16 8	
8	KG01267561		WASHER M12	
9	KG01277561		SPRING WASHER M8	
10	KK010650		UNIVERSAL SPANNER NV 27-36	
11	RF00895		GREASE NIPPLE M8X125	
12	RF23601		COUNTERSUNK HEAD SCREW M20X80 10.9	
13	RF23769		BEARING UCF 210	
14	RF2600994		KNIFE ACTIPACK WELDED	
15	RF26080		SPRING ACTIPACK COMPLETE	
16	RF2636888		ROTOR ACTIPACK 2M00 KV	
16	RF2636988		ROTOR ACTIPACK 2M25 KV	
16	RF2637088		ROTOR ACTIPACK 2M50 KV	
16	RF2637188		ROTOR ACTIPACK 3M00 KV	
16	RF2637288		ROTOR ACTIPACK 3M50 KV	
16	RF2637388		ROTOR ACTIPACK 4M00 KV	
16	RF2637488		ROTOR ACTIPACK 4M50 KV	
17	RF26466		SCRAPPER CRACKER	
18	RF26491		SPRING CRACKER 25X8 PAINT	
19	RF27158		RIGHT NIPPLE PROTECTION PAINTED	
20	RF27159		LEFT NIPPLE PROTECTION PAINTED	
21	RF28348		ACTIPACK BEAM SCRAPPER 2M00 WELDED	
21	RF28349		ACTIPACK BEAM SCRAPPER 2M25 WELDED	
21	RF28350		ACTIPACK BEAM SCRAPPER 2M50 WELDED	
21	RF28351		ACTIPACK BEAM SCRAPPER 3M00 WELDED	
21	RF28352		ACTIPACK BEAM SCRAPPER 3M50 WELDED	
21	RF28353		ACTIPACK BEAM SCRAPPER 4M00 WELDED	
21	RF28354		ACTIPACK BEAM SCRAPPER 4M50 WELDED	
22	RF28355		ACTIPACK BEAM PRINCIPAL 2.00 M WELDED	
22	RF28356		ACTIPACK BEAM PRINCIPAL 2.25 M WELDED	
22	RF28357		ACTIPACK BEAM PRINCIPAL 2.50 M WELDED	
22	RF28358		ACTIPACK BEAM PRINCIPAL 3.00 M WELDED	
22	RF28359		ACTIPACK BEAM PRINCIPAL 3.50 M WELDED	
22	RF28360		ACTIPACK BEAM PRINCIPAL 4.00 M WELDED	
22	RF28361		ACTIPACK BEAM PRINCIPAL 4.50 M WELDED	

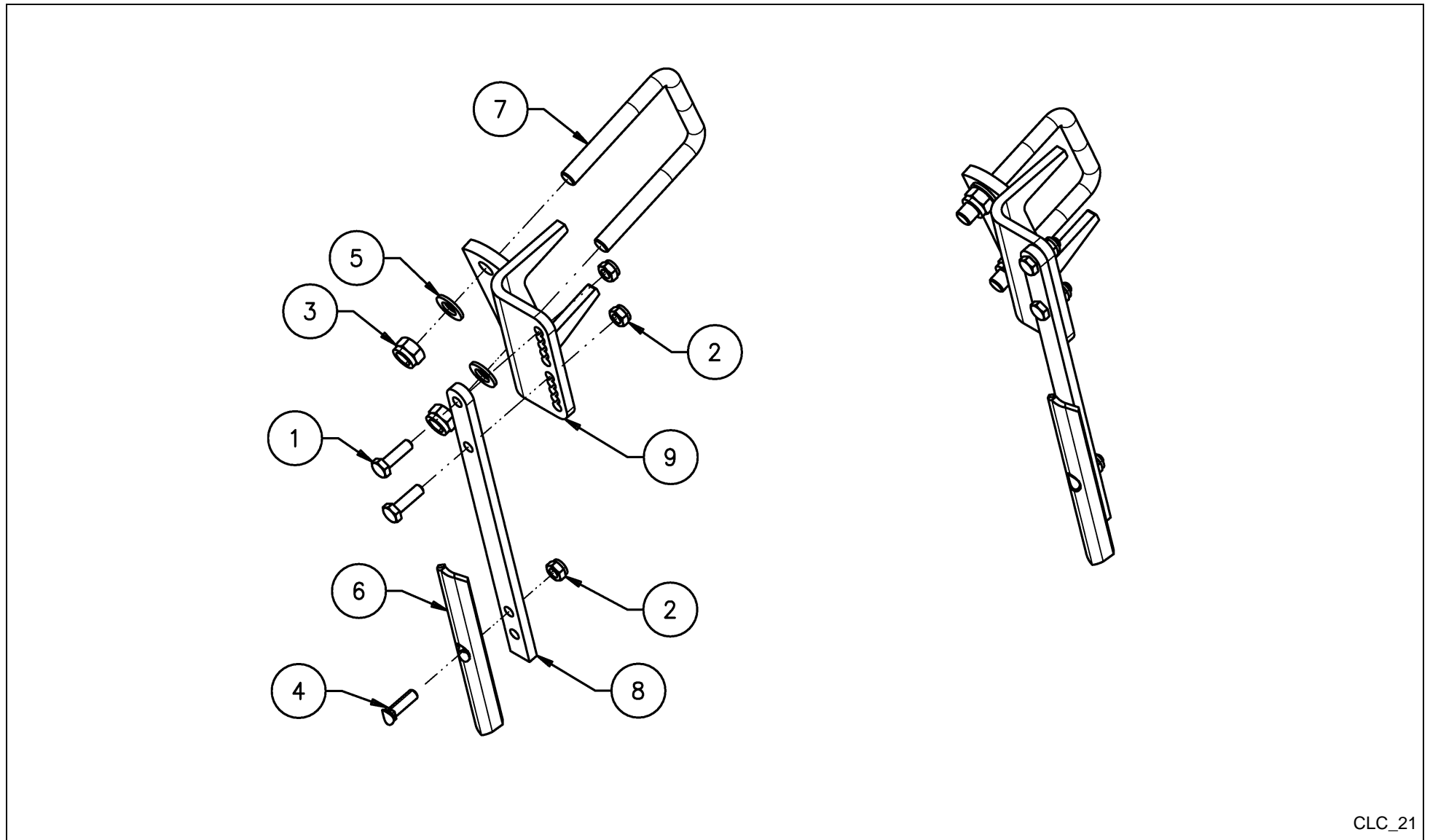


CLC_20

CLC / ACTIPACK ROLLER



PosNo.	Part No.	Qty.	Description	Remark
23	RF28445		FIXING SCREW	
24	RF28481		KEY 10 MM ZINCED	



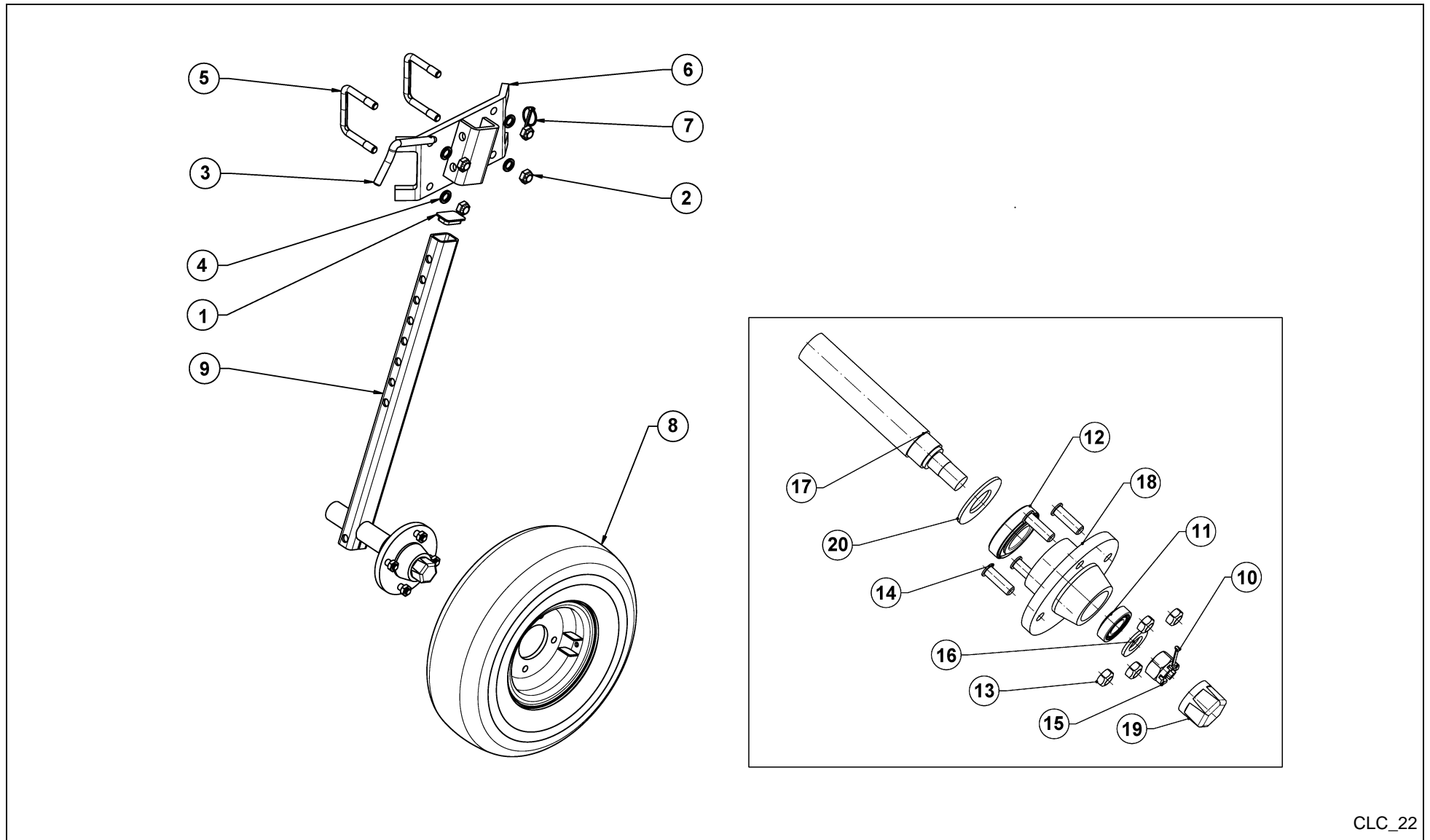
CLC_21

CLC / CENTRAL FLOW MANAGEMENT KIT



PosNo.	Part No.	Qty.	Description	Remark
1	KG00355261		HEX. BOLT M10X40 8.8	
2	KG01067661		LOCK NUT M10 8	
3	KG01067961		LOCK NUT M16 8	
4	RF01113		SHARE/TINE ATTACH. SCREW K 10X38 CL. 8.8	
5	RF01991		WASHER 16.5X30X3 NFE 27611	
6	RF02900		SHARE 40X6 LG 218 MM	
7	RF04030		U-BOLT DIAM.16 90X90	
8	RF2941094		TINE 25X10	
9	RF2941394		TINE BRACKET	

CLC / DEPTH CONTROL WHEEL (RIGID FRAME)



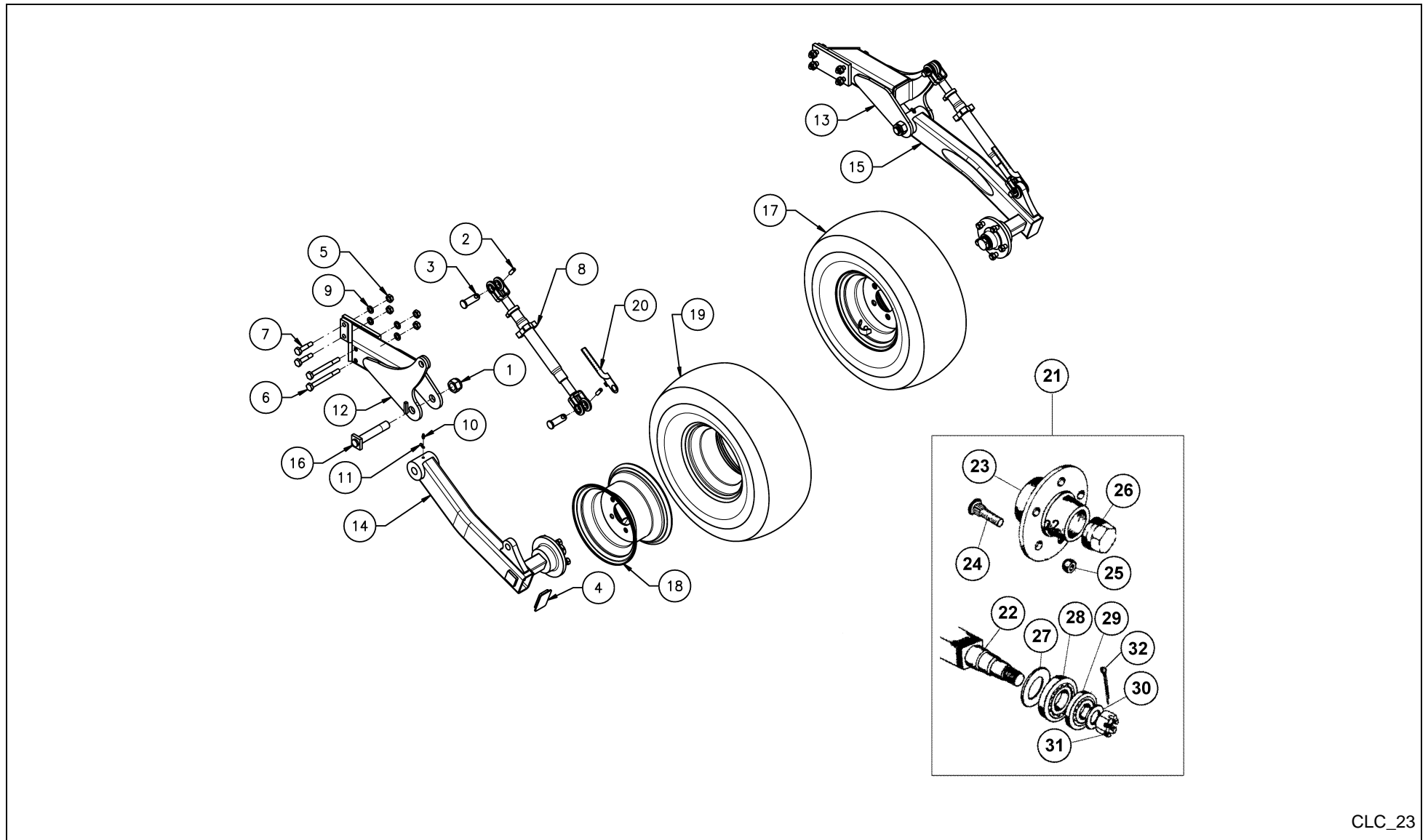
CLC_22

CLC / DEPTH CONTROL WHEEL (RIGID FRAME)



PosNo.	Part No.	Qty.	Description	Remark
1	KK010909		PLASTIC COVER SQUARE TUBE 60X40X5	
2	KK016025		LOCK NUT M16	
3	KK191234		BOLT WITH HANDLE D16	
4	KW101003020		WASHER HV Ø=17 DIN 6916 GALVANIZED	
5	KW101020008		U-BOLT M 16 X 100 X 95	
6	KW220301094		BRACKET FOR CLC WHEEL ARM LH	
6	KW220301093		BRACKET FOR CLC WHEEL ARM RH	
7	RF00438		SAFETY PIN 6X35 ZN	
8	RF0214218		CPL WHEEL 600X9-10P 4 HOLES	
8	RF28553		TYRE 600X9-10	
8	RF28554		RIM 4.00 X 9	
9	RF28564		CLC PRO WHEEL HOLDER PAINTED	
10	KG01251961		SPLIT PIN 4X40 ST	
11	KG01797800		TAPER ROLLER BEARING 30205	
12	KG01799800		TAPER ROLLER BEARING 30208	
13	RF00402		NUT H14 X 150	
14	RF03258		GUDGEON 14 X 45	
15	RF04184		NUT M 24X200	
16	RF05173		WASHER 25 X 45 X 4	
17	RF17787		AXLE	
18	RF17788		HUB + 4 GUDGEONS + 4 NUTS	
19	RF17789		END CAP M53.5 X 1.5	
20	RF17790		WASHER 40 X 79 X 4	

CLC / DEPTH CONTROL WHEEL FOR (FOLDING FRAME)

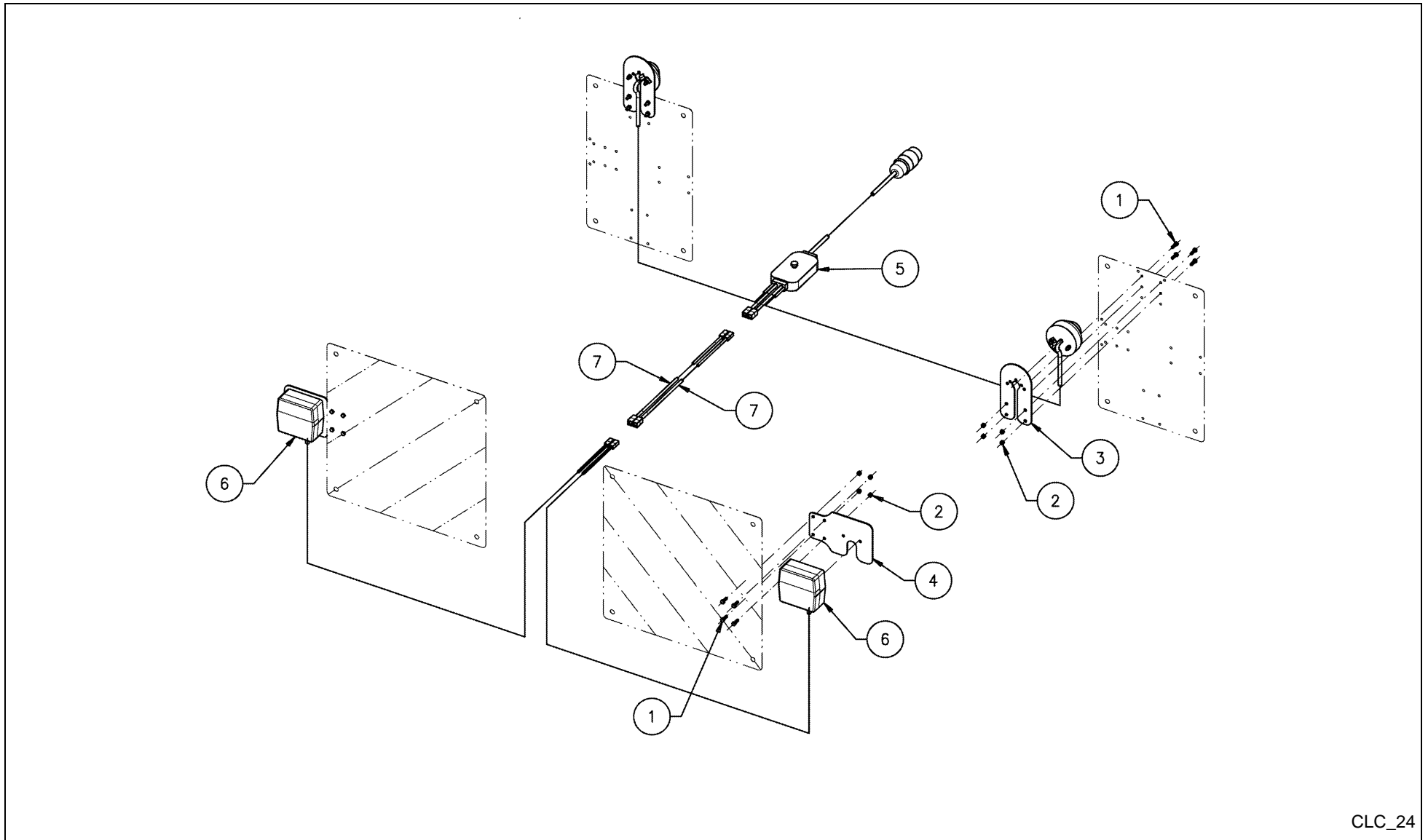


CLC_23

CLC / DEPTH CONTROL WHEEL FOR (FOLDING FRAME)



PosNo.	Part No.	Qty.	Description	Remark
1	KG01068561		LOCK NUT M30 8	
2	KG01195400		TENSION PIN 12X40	
3	KK010315		BOLT W/ HEAD D25.3X60	
4	KK011131		PLUG 100X60X6.3	
5	KK016025		LOCK NUT M16	
6	KK032710		HEX BOLTM16X155	
7	KK032770		HEX BOLT M16X70 10.9	
8	KK361116		TURNBUCKLE 520-720	
9	KW101003020		WASHER HV Ø=17 DIN 6916 GALVANIZED	
10	RF00895		GREASE NIPPLE M8X125	
11	RF02345		GREASE NIPPLE MARKER GPN 985	
12	RF2936694		RIGHT WHEEL HOLDER	
13	RF2936794		LEFT WHEEL HOLDER	
14	RF2937694		RIGHT WHEEL ARM	
15	RF2937794		LEFT WHEEL ARM	
16	RF2938261		AXLE Ø30 LG 163 M30/41	
17	RF29401		WHEEL CPL 10.8/80-12 AW 5/0	
18	RF2940298		RIM 7.00X12	
19	RF29403		TYRE 10.0/80-12 AW	
20	RF3005000		TURNBUCKLE RULE 100 MM	
21	RF08089		HUB CPL. (5 HOLES)	
22	RF17919		AXLE	
23	RF17920		HUB 5 HOLES	
24	RF17921		GUDGEON M16 X 150 LG 40 MM	
25	RF17922		NUT M16 X 150	
26	RF17789		END CAP M53.5 X 1.5	
27	RF17923		WASHER 45 X 84 X 3.5	
28	KG01800500		TAPER ROLLER BEARING 30209	
29	KG01797800		TAPER ROLLER BEARING 30205	
30	RF05173		WASHER 25 X 45 X 4	
31	RF04184		NUT M 24X200	
32	KG01251961		SPLIT PIN 4X40 ST	

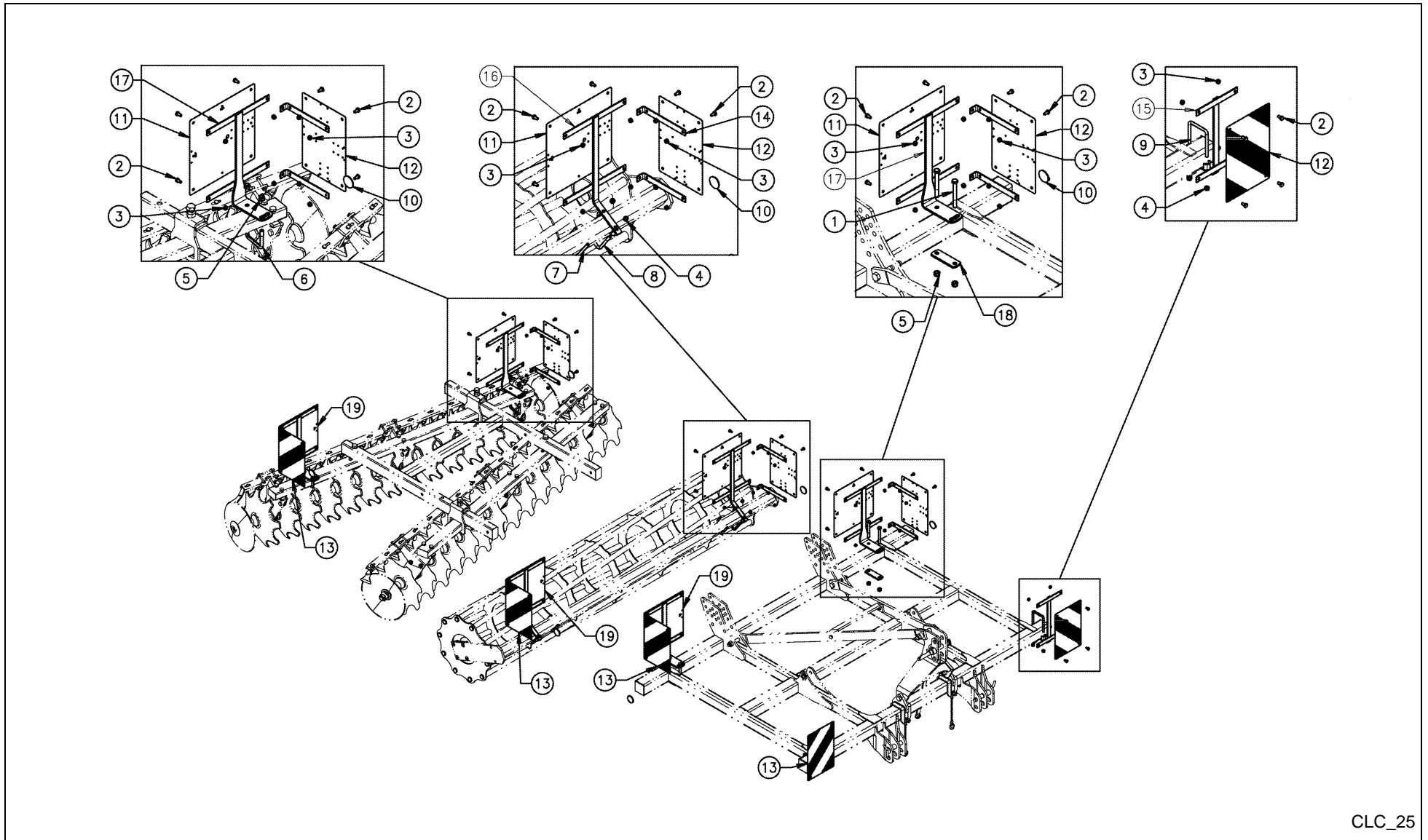


CLC_24

CLC / LIGHTING



PosNo.	Part No.	Qty.	Description	Remark
1	KG00467261		HEX. SCREW M5X16 8.8	
2	KG01067261		LOCK NUT M5	
3	RF2922894		LIGHTING FIXING PLATE	
4	RF2923394		REAR LIGHT FIXING PLATE	
5	RF29363		WIRING SYSTEM WITH FRONT LIGHTS	
6	RF29364		REAR LIGHT WIRED	
7	RF29365		EXTENSION WIRE	
5+6+7	RF29309		LIGHT WIRING SYSTEM	

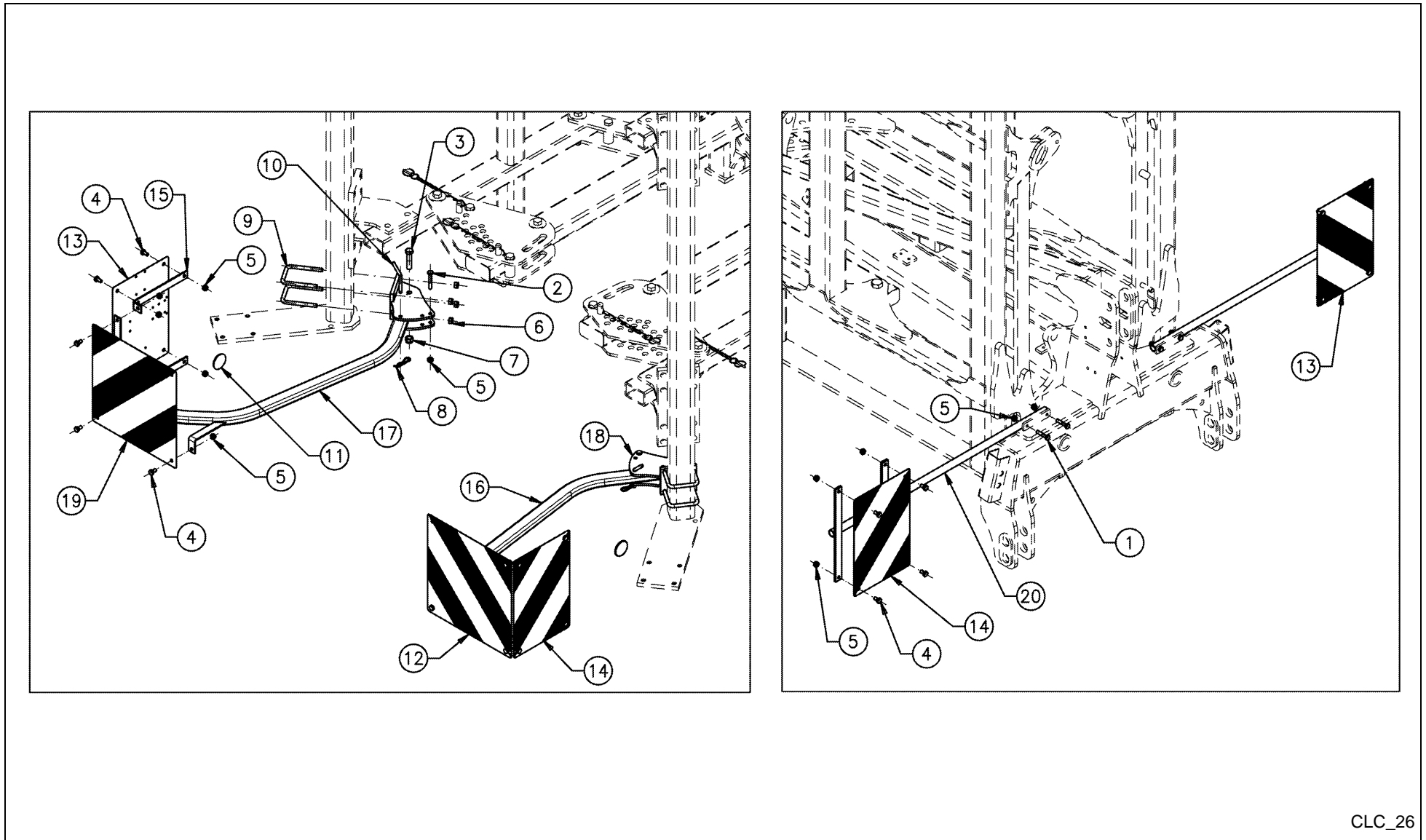


CLC_25

CLC / RIGID FRAME SIGN KITS



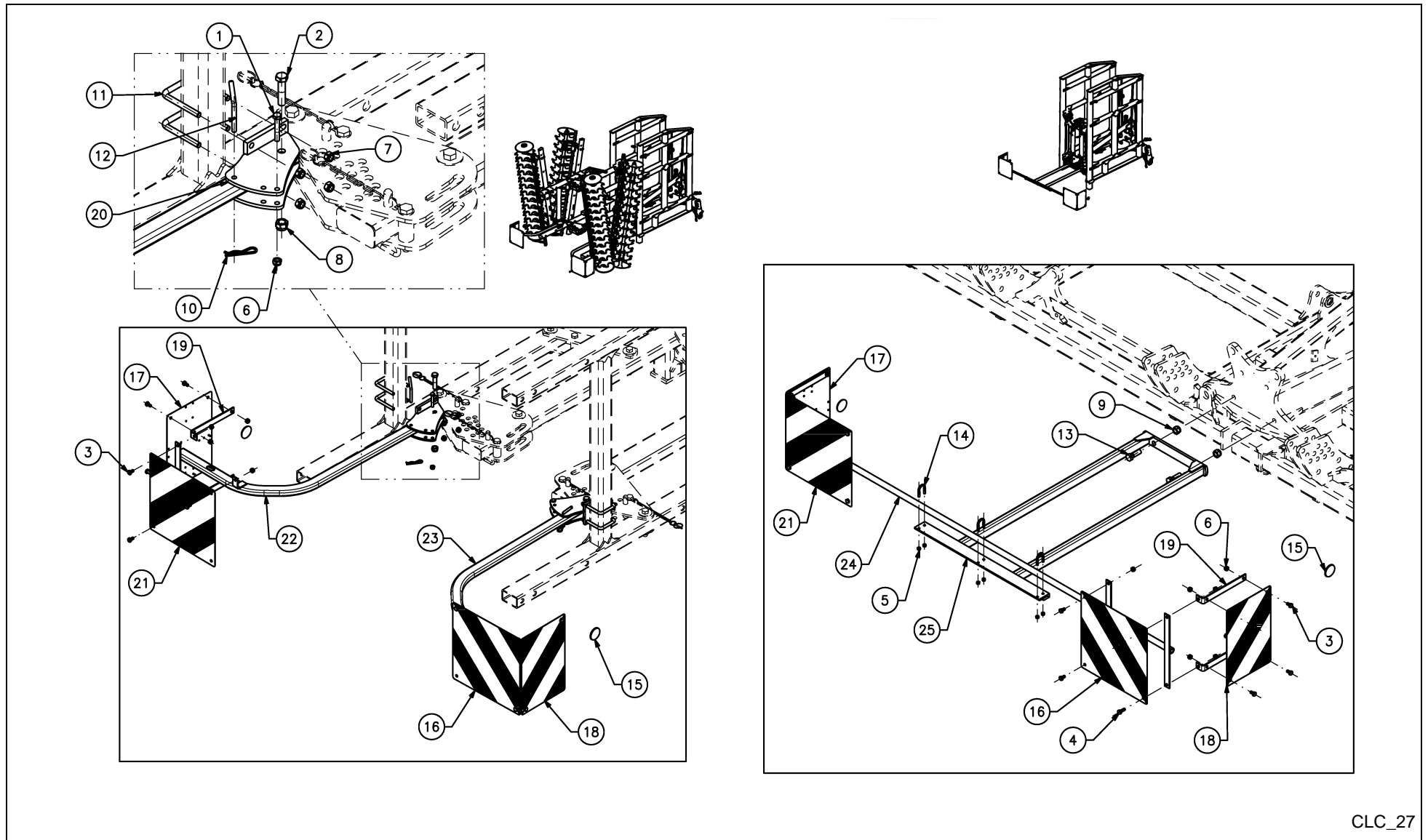
PosNo.	Part No.	Qty.	Description	Remark
1	KG00363161		HEX. BOLT M16X140 8.8	
2	KG00474061		HEX. SCREW M10X20 8.8	
3	KG01067661		LOCK NUT M10 8	
4	KG01067761		LOCK NUT M12 8	
5	KG01067961		LOCK NUT M16 8	
6	KW101020008		U-BOLT M 16 X 100 X 95	
7	RF00621		U-BOLT DIAM.12 A.60	
8	RF00910		U-BOLT DIAM.12 A.60	
9	RF18077		U-BOLT	
10	RF27128		ORANGE ROUND REFLECTOR D60(6200GK)	
11	RF27134		WARNING PANEL 423X423 DIN / TPESC	
12	RF27203		WARNING PANEL 282X423 R2 DIN / TPESC	
13	RF27204		WARNING PANEL 282X423 R1 DIN / TPESC	
14	RF2734694		LATERAL SIGN BRACKET	
15	RF2922494		FRONT SIGN BRACKET	
16	RF2923094		REAR SIGN BRACKET	
17	RF2927094		DISPLACEABLE SIGN BRACKET	
18	RF2927194		CLAMPING PLATE	
19	RF29294		WARNING PANEL 423X423 DIN / TPESC	



CLC / FOLDING FRAME SIGN KITS (1)

PosNo.	Part No.	Qty.	Description	Remark
1	KG00355461		HEX. BOLT M10X50 8.8	
2	KG00355761		HEX. BOLT M10X65 8.8	
3	KG00362361		HEX. BOLT M16X70 8.8	
4	KG00474061		HEX. SCREW M10X20 8.8	
5	KG01067661		LOCK NUT M10 8	
6	KG01067761		LOCK NUT M12 8	
7	KG01067961		LOCK NUT M16 8	
8	RF00028		HAIR PIN DIA. 3.9 MM	
9	RF00910		U-BOLT DIAM.12 A.60	
10	RF01867		PIN LG 135 MM	
11	RF27128		ORANGE ROUND REFLECTOR D60(6200GK)	
12	RF27134		WARNING PANEL 423X423 DIN / TPESC	
13	RF27203		WARNING PANEL 282X423 R2 DIN / TPESC	
14	RF27204		WARNING PANEL 282X423 R1 DIN / TPESC	
15	RF2734694		LATERAL SIGN BRACKET	
16	RF2927794		RIGHT REAR SIGN HOLDER	
17	RF2927894		LEFT REAR SIGN HOLDER	
18	RF2928094		SIGN HOLDER BRACKET	
19	RF29294		WARNING PANEL 423X423 DIN / TPESC	
20	RF2935994		FRONT SIGN BRACKET	

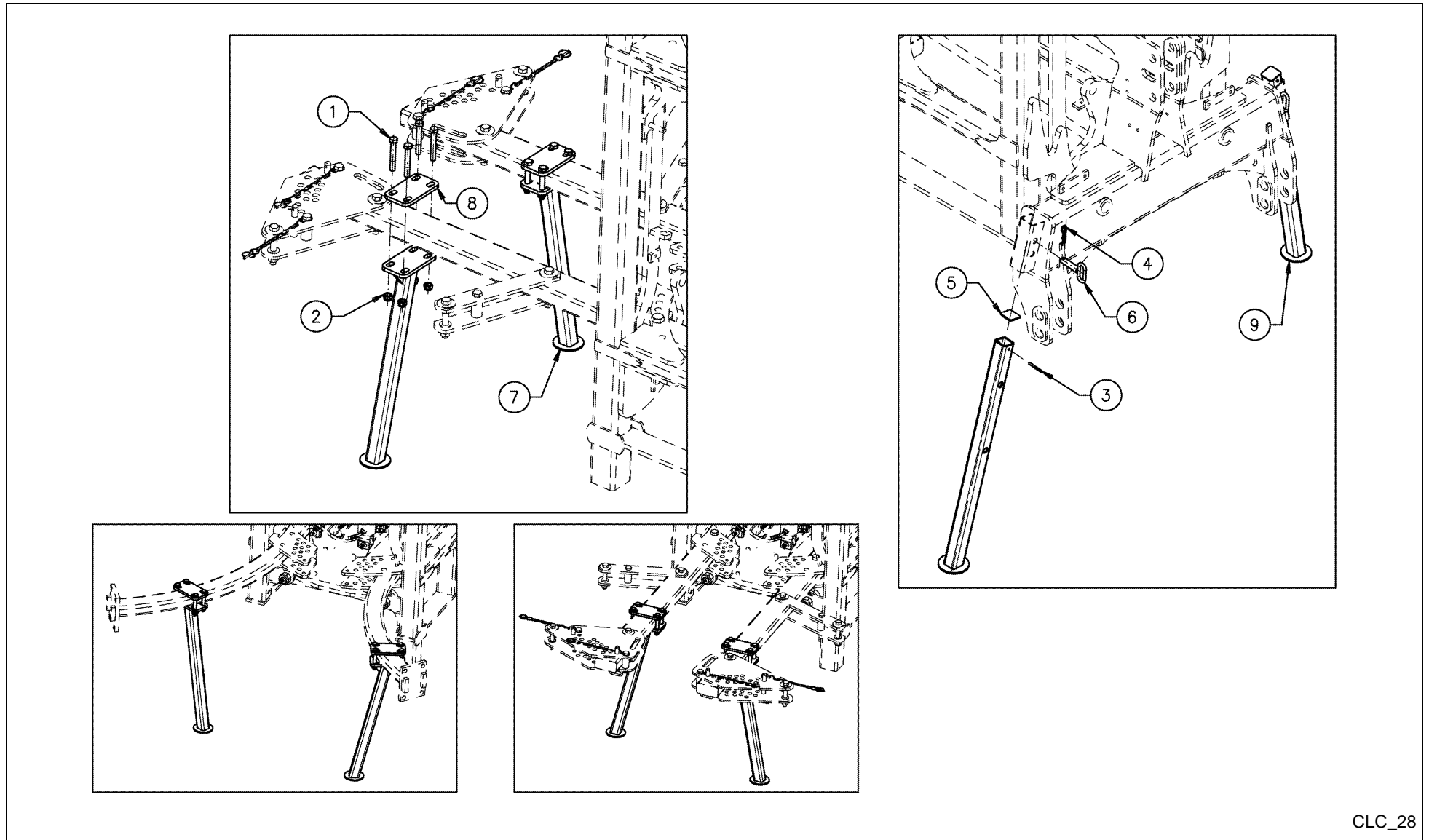
CLC / FOLDING FRAME SIGN KITS (2)



CLC_27

CLC / FOLDING FRAME SIGN KITS (2)

PosNo.	Part No.	Qty.	Description	Remark
1	KG00355761		HEX. BOLT M10X65 8.8	
2	KG00362361		HEX. BOLT M16X70 8.8	
3	KG00474061		HEX. SCREW M10X20 8.8	
4	KG00474361		HEX. SCREW M10X30 8.8	
5	KG01067561		LOCK NUT M8 8	
6	KG01067661		LOCK NUT M10 8	
7	KG01067761		LOCK NUT M12 8	
8	KG01067961		LOCK NUT M16 8	
9	KG01068161		LOCK NUT M20 8	
10	RF00028		HAIR PIN DIA. 3.9 MM	
11	RF00621		U-BOLT DIAM.12 A.60	
12	RF01867		PIN LG 135 MM	
13	RF02358		SCREW M20X60 CL.8.8 ZN NFE 27311 DIN 931	
14	RF20444		YOKE FOR PAD DIA 25 ZINCED	
15	RF27128		ORANGE ROUND REFLECTOR D60(6200GK)	
16	RF27134		WARNING PANEL 423X423 DIN / TPESC	
17	RF27203		WARNING PANEL 282X423 R2 DIN / TPESC	
18	RF27204		WARNING PANEL 282X423 R1 DIN / TPESC	
19	RF2734694		LATERAL SIGN BRACKET	
20	RF2928094		SIGN HOLDER BRACKET	
21	RF29294		WARNING PANEL 423X423 DIN / TPESC	
22	RF2941794		LEFT REAR SIGN HOLDER DOUBLE D, G,	
23	RF2941894		RIGHT REAR SIGN HOLDER DOUBLE D, G,	
24	RF2969694		WELDED REAR SIGN BRACKET	
25	RF2971894		WELDED REAR SIGN ARM	



CLC_28

CLC / PARKING STAND



PosNo.	Part No.	Qty.	Description	Remark
1	KG00362861		HEX. BOLT M16X110 8.8	
2	KG01067961		LOCK NUT M16 8	
3	KG01189900		TENSION PIN 6X60	
4	RF00028		HAIR PIN DIA. 3.9 MM	
5	RF02489		CAP 50 X 50 X 5	
6	RF2934963		PIN Ø19 L.U. 62 WELDED	
7	RF2935094		REAR STAND WELDED	
8	RF2935394		FIXING PLATE	
9	RF2935594		FRONT STAND WELDED	

CLC / Part No Index



Part No.	Page	Pos No	Part No.	Page	Pos No	Part No.	Page	Pos No	Part No.	Page	Pos No
AC271800	6	1	KG00474361	11	2	KG01067961	4	2	KG01251961	20	10
AC271800	7	1	KG00474361	25	4	KG01067961	14	5	KG01251961	21	32
AC497685	4	1	KG00476461	16	13	KG01067961	15	2	KG01267461	11	4
AC656452	18	1	KG00480461	15	1	KG01067961	17	5	KG01267561	17	13
AC688220	1	1	KG00483661	2	3	KG01067961	18	7	KG01267561	18	8
KG00353261	5	1	KG00483661	3	3	KG01067961	19	3	KG01268161	1	5
KG00353861	5	17	KG00486361	9	2	KG01067961	23	5	KG01268161	9	8
KG00355261	19	1	KG00486361	10	2	KG01067961	24	7	KG01268161	10	5
KG00355461	24	1	KG00644861	17	11	KG01067961	25	8	KG01277561	18	9
KG00355761	24	2	KG00644861	18	4	KG01067961	26	2	KG01277761	16	14
KG00355761	25	1	KG01043561	17	8	KG01068161	2	6	KG01278061	4	6
KG00356061	11	1	KG01043961	9	3	KG01068161	3	6	KG01479100	12	10
KG00357461	16	19	KG01043961	10	3	KG01068161	4	3	KG01797800	20	11
KG00357861	7	2	KG01067261	22	2	KG01068161	9	4	KG01797800	21	29
KG00357961	2	1	KG01067561	1	3	KG01068161	13	1	KG01799800	20	12
KG00357961	3	1	KG01067561	2	4	KG01068161	13	4	KG01800500	21	28
KG00362161	17	7	KG01067561	3	4	KG01068161	25	9	KK010170	1	6
KG00362361	24	3	KG01067561	25	5	KG01068361	9	5	KK010170	6	2
KG00362361	25	2	KG01067661	11	3	KG01068361	10	4	KK010170	7	4
KG00362861	26	1	KG01067661	18	5	KG01068561	21	1	KK010315	9	9
KG00363161	23	1	KG01067661	19	2	KG01189662	4	4	KK010315	21	3
KG00367361	13	5	KG01067661	23	3	KG01189900	26	3	KK010606	1	7
KG00372361	9	1	KG01067661	24	5	KG01191962	2	7	KK010606	2	9
KG00372361	10	1	KG01067661	25	6	KG01191962	3	7	KK010606	3	9
KG00456561	18	2	KG01067761	2	5	KG01191962	4	5	KK010650	1	8
KG00467261	22	1	KG01067761	3	5	KG01191962	9	6	KK010650	2	10
KG00471761	18	3	KG01067761	7	3	KG01191962	16	11	KK010650	3	10
KG00471961	1	2	KG01067761	16	6	KG01192062	15	3	KK010650	18	10
KG00472261	2	2	KG01067761	17	12	KG01194062	1	4	KK010909	20	1
KG00472261	3	2	KG01067761	18	6	KG01194062	2	8	KK011131	9	10
KG00474061	23	2	KG01067761	23	4	KG01194062	3	8	KK011131	10	6
KG00474061	24	4	KG01067761	24	6	KG01195400	9	7	KK011131	13	2
KG00474061	25	3	KG01067761	25	7	KG01195400	21	2	KK011131	21	4

CLC / Part No Index



Part No.	Page	Pos No	Part No.	Page	Pos No	Part No.	Page	Pos No	Part No.	Page	Pos No
KK011619	8	1	KK016025	20	2	KK035020	6	24	KK301099	11	9
KK012813	1	9	KK016025	21	5	KK053090	6	25	KK301123	6	41
KK012813	6	3	KK016038	6	15	KK053090	7	19	KK301123	7	23
KK012813	7	5	KK016038	7	14	KK057066	6	26	KK301455	7	24
KK013228	6	4	KK016049	8	4	KK057067	6	27	KK301465	6	42
KK013228	7	6	KK029727	6	16	KK057089	6	28	KK301465	7	25
KK013244	6	5	KK029920	12	11	KK057093	6	29	KK301469	6	43
KK013244	7	7	KK032645	6	17	KK063090	6	30	KK301472	6	44
KK013255	6	6	KK032655	6	18	KK063090	7	20	KK301472	7	26
KK013255	7	8	KK032702	8	5	KK067042	6	31	KK301475	7	27
KK013332	6	7	KK032703	11	6	KK067063	6	32	KK303134	6	45
KK013332	7	9	KK032710	2	12	KK067064	6	33	KK303172	6	46
KK015817	6	8	KK032710	21	6	KK077003	6	34	KK310075	8	8
KK015818	6	9	KK032735	7	15	KK077011	6	35	KK361116	21	8
KK015825	6	10	KK032745	6	19	KK077012	6	36	KK361120	9	15
KK015825	7	10	KK032750	2	13	KK084304	6	37	KW101003020	9	16
KK015830	1	10	KK032750	11	7	KK121102	12	2	KW101003020	10	11
KK015830	6	11	KK032770	6	20	KK121112	12	4	KW101003020	11	11
KK015830	7	11	KK032770	21	7	KK121118	12	5	KW101003020	20	4
KK015942	12	1	KK032785	6	21	KK121131	12	12	KW101003020	21	9
KK016001	1	11	KK032785	7	16	KK121132	12	13	KW101009027	2	14
KK016001	8	2	KK032795	6	22	KK121133	12	14	KW101009027	3	11
KK016001	13	3	KK032795	7	17	KK121135	12	6	KW101018903	8	9
KK016007	6	12	KK032795	9	12	KK121205	12	7	KW101020008	20	5
KK016015	6	13	KK032795	10	8	KK191234	20	3	KW101020008	23	6
KK016015	7	12	KK032808	1	12	KK301011	6	38	KW129220301019	11	12
KK016025	2	11	KK032808	6	23	KK301011	7	21	KW217018004	11	13
KK016025	6	14	KK032808	7	18	KK301015	9	13	KW217025610	8	10
KK016025	7	13	KK032811	8	6	KK301015	10	9	KW220301093	20	6
KK016025	8	3	KK032908	8	7	KK301016	11	9	KW220301094	20	6
KK016025	9	11	KK032908	13	6	KK301054	6	39	KW250130	9	14
KK016025	10	7	KK032920	1	13	KK301080	6	40	KW250130	10	10
KK016025	11	5	KK032980	1	14	KK301080	7	22	KW250135	12	8

CLC / Part No Index



Part No.	Page	Pos No	Part No.	Page	Pos No	Part No.	Page	Pos No	Part No.	Page	Pos No
KW250136	12	8	RF00724	16	4	RF08089	21	21	RF22380	16	12
KW250137	12	8	RF00895	2	17	RF11336	1	17	RF22386	16	9
KW250139	12	8	RF00895	3	14	RF11336	2	19	RF23601	14	4
KW250140	12	8	RF00895	4	7	RF11336	3	16	RF23601	17	4
KW250700	1	15	RF00895	18	11	RF11948	16	20	RF23601	18	12
KW250820	12	3	RF00895	21	10	RF11948	16	5	RF23769	14	3
KW250821	11	8	RF00910	23	8	RF12614	4	10	RF23769	15	6
KW301019	11	10	RF00910	24	9	RF13743	16	21	RF23769	17	9
KW301020	11	10	RF01113	19	4	RF13944	9	20	RF23769	18	13
KW308002010	9	17	RF01867	24	10	RF14799	5	3	RF23917	17	3
KW308002010	10	12	RF01867	25	12	RF14800	5	4	RF23919	17	3
KW330050021	1	16	RF01991	4	8	RF15210	1	19	RF23921	17	3
KW330050021	2	15	RF01991	6	47	RF15210	2	20	RF23922	17	3
KW330050021	3	12	RF01991	17	6	RF15210	3	17	RF24076	17	3
KW330050621	8	11	RF01991	19	5	RF16824	1	20	RF24252	14	1
KW330050621	13	7	RF0206822	16	17	RF16824	2	21	RF24253	14	1
KW890220301104	11	14	RF0214218	20	8	RF16824	3	18	RF24254	14	1
KW890220301118	11	14	RF0214662	1	18	RF17787	20	17	RF24255	14	1
KW890220301119	11	14	RF02345	2	18	RF17788	20	18	RF24257	14	1
KW890220301121	11	14	RF02345	3	15	RF17789	20	19	RF24379	14	2
KW890220301122	11	14	RF02345	4	9	RF17789	21	26	RF24381	14	2
KW999110001081	12	9	RF02345	21	11	RF17790	20	20	RF24382	14	2
RF00027	9	18	RF02358	25	13	RF17919	21	22	RF24383	14	2
RF00028	24	8	RF02489	26	5	RF17920	21	23	RF24384	14	2
RF00028	25	10	RF02772	5	2	RF17921	21	24	RF24595	17	10
RF00028	26	4	RF02900	19	6	RF17922	21	25	RF2495488	15	7
RF00166	15	4	RF03258	20	14	RF17923	21	27	RF25220	5	5
RF00402	20	13	RF04030	19	7	RF18077	23	9	RF25251	5	6
RF00438	2	16	RF04184	20	15	RF18087	4	11	RF25253	5	7
RF00438	3	13	RF04184	21	31	RF18553	15	5	RF25307	5	8
RF00438	20	7	RF05173	20	16	RF20444	25	14	RF25317	2	22
RF00621	23	7	RF05173	21	30	RF22033	4	12	RF25317	3	19
RF00621	25	11	RF06317	9	19	RF22344	16	10	RF25645	17	2

CLC / Part No Index



Part No.	Page	Pos No	Part No.	Page	Pos No	Part No.	Page	Pos No	Part No.	Page	Pos No
RF25647	17	2	RF2636888	18	16	RF27204	23	13	RF2842694	10	13
RF25648	17	2	RF2636988	18	16	RF27204	24	14	RF2843094	9	22
RF25649	17	2	RF2637088	18	16	RF27204	25	18	RF2843094	10	14
RF25650	17	2	RF2637188	18	16	RF2734694	23	14	RF2843194	9	22
RF2600994	18	14	RF2637288	18	16	RF2734694	24	15	RF2843194	10	14
RF26080	18	15	RF2637388	18	16	RF2734694	25	19	RF2843294	9	22
RF26162	17	14	RF2637488	18	16	RF2772963	1	21	RF2843294	10	14
RF26169	17	1	RF26460	8	12	RF28056	1	22	RF28434	1	26
RF26171	17	1	RF26461	8	13	RF2805794	1	23	RF28435	1	27
RF26172	17	1	RF26461	13	8	RF28082	8	14	RF28445	18	23
RF26173	17	1	RF26466	18	17	RF2830794	13	9	RF28481	18	24
RF26174	17	1	RF26491	18	18	RF28345	1	24	RF28482	1	28
RF26186	16	1	RF27061	9	21	RF28345	8	15	RF28553	20	8
RF26193	16	1	RF27122	4	13	RF28345	13	10	RF28554	20	8
RF26194	16	1	RF27128	23	10	RF28346	1	25	RF28564	20	9
RF26195	16	1	RF27128	24	11	RF28348	18	21	RF2871263	2	27
RF26196	16	1	RF27128	25	15	RF28349	18	21	RF2871263	3	24
RF26197	16	1	RF27134	23	11	RF28350	18	21	RF2890494	1	31
RF2620988	15	7	RF27134	24	12	RF28351	18	21	RF2891694	1	29
RF2621088	15	7	RF27134	25	16	RF28352	18	21	RF2894862	2	28
RF2621188	15	7	RF27158	18	19	RF28353	18	21	RF2894862	3	25
RF2622888	15	8	RF27159	18	20	RF28354	18	21	RF2894962	2	29
RF2622988	15	8	RF27166	2	24	RF28355	18	22	RF2894962	3	26
RF2623088	15	8	RF27166	3	21	RF28356	18	22	RF2895194	4	16
RF2623188	15	8	RF27168	4	14	RF28357	18	22	RF2900094	4	17
RF2626394	15	9	RF27169	2	25	RF28358	18	22	RF2900294	4	18
RF2626494	15	9	RF27169	3	22	RF28359	18	22	RF2900994	2	30
RF2626594	15	9	RF27169	4	15	RF28360	18	22	RF2900994	3	27
RF2626694	15	9	RF27170	2	26	RF28361	18	22	RF2901194	2	31
RF2626794	15	10	RF27170	3	23	RF28362	8	16	RF2901194	3	28
RF2626888	2	23	RF27203	23	12	RF28369	8	17	RF29043	5	11
RF2626888	3	20	RF27203	24	13	RF2837063	13	11	RF29044	5	12
RF26339	5	10	RF27203	25	17	RF2842494	9	24	RF29045	5	13

CLC / Part No Index



Part No.	Page	Pos No	Part No.	Page	Pos No	Part No.	Page	Pos No	Part No.	Page	Pos No
RF29046	5	14	RF29363	22	5	RF2991194	2	40	RG00061024	16	7
RF29047	5	15	RF29364	22	6	RF2991294	2	41	RG00061025	16	8
RF2904994	2	32	RF29365	22	7	RF2992763	2	42			
RF2904994	3	29	RF2936694	21	12	RF3005000	21	20			
RF2919763	1	30	RF2936794	21	13	RF3014888	15	7			
RF2919763	2	33	RF2937694	21	14	RF3014988	15	7			
RF2919763	3	30	RF2937794	21	15	RF3015088	15	8			
RF2922494	23	15	RF2938261	21	16	RF3015188	15	8			
RF2922894	22	3	RF29401	21	17	RF3015494	15	9			
RF2923094	23	16	RF2940298	21	18	RF3015594	15	9			
RF2923394	22	4	RF29403	21	19	RFGAIN024	5	16			
RF2927094	23	17	RF2941094	19	8	RG00049729	9	25			
RF2927194	23	18	RF2941394	19	9	RG00049729	13	12			
RF2927794	24	16	RF2941794	25	22	RG00055417	16	2			
RF2927894	24	17	RF2941894	25	23	RG00055419	16	2			
RF2928094	24	18	RF2943994	9	22	RG00055421	16	2			
RF2928094	25	20	RF2943994	10	14	RG00055423	16	2			
RF29294	23	19	RF2956294	9	22	RG00055534	16	3			
RF29294	24	19	RF2956294	10	14	RG00055819	16	2			
RF29294	25	21	RF2959494	1	31	RG00058462	16	7			
RF29309	22	5+6+7	RF2959594	1	31	RG00058463	16	7			
RF2931894	2	34	RF2969694	25	24	RG00058464	16	7			
RF2931894	3	31	RF29701	2	37	RG00058466	16	7			
RF2931994	2	35	RF29701	3	34	RG00058467	16	7			
RF2932094	2	36	RF2971894	25	25	RG00058480	16	8			
RF2932194	3	32	RF2972800	9	23	RG00058481	16	8			
RF2932294	3	33	RF2980194	9	24	RG00058482	16	8			
RF29334	5	9	RF2980294	9	24	RG00058484	16	8			
RF2934963	26	6	RF2980694	10	13	RG00058485	16	8			
RF2935094	26	7	RF2980794	10	13	RG00058495	16	18			
RF2935394	26	8	RF29848	15	11	RG00058496	16	15			
RF2935594	26	9	RF2990994	2	38	RG00058497	16	16			
RF2935994	24	20	RF2991094	2	39	RG00061023	16	2			



CLC

06285 < Mach. ID <=

Kverneland Group Les Landes Génusson S.A.S.
9 rue du Poitou
85130 Les Landes Génusson
France
+33 (0)2 51 64 13 00
+33 (0)2 51 91 61 25
sicam@kvernelandgroup.com

© Kverneland Group

All rights reserved. No parts of this book may be reproduced, stored in a database or retrieval system, or published in any form or in any way, electronically, mechanically, optically, by print, photo print, microfilm (including micro and macro fiche), or any other means, including all video and CD systems, without prior written permission from the publisher.

Print date: 2010-04-08

